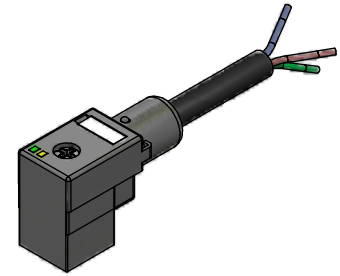
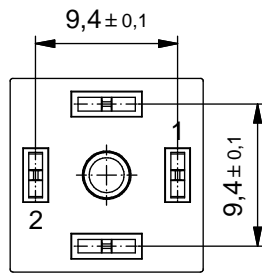


**Technical specification :**

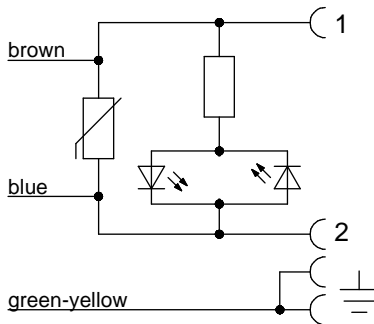
Rated voltage:	24 V AC / DC
Current rating:	4 A at 40°C
IEC 60512-5-2 5b	
Pollution degree:	3
IEC 60664-1	
Degree of protection:	IP 67, in mated condition
IEC 60529	
Temperature range:	-25°C ... +80°C
IEC 60664-1	
Mating cycles:	>50
DIN EN 175301-803	

**Materials:**

Contact:	CuZn
Contact plating:	Nickel, stannous plated
Contact carrier:	PA GF, UL 94
Moulding body:	TPU, UL 94, transparent

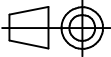


**Contact assignment:**



Part no:	Description:	Length L:	Cable:
55-00239	SAL - C9 - V2PEG - 0 - 124 - 2 / H2	2m	PUR/PVC, black, 3x0,5mm <sup>2</sup> Cable: 781-H25300
55-00028	SAL - C9 - V2PEG - 0 - 124 - 3 / H2	3m	
55-00029	SAL - C9 - V2PEG - 0 - 124 - 5 / H2	5m	
55-00042	SAL - C9 - V2PEG - 0 - 124 - 10 / H2	10m	
55-00240	SAL - C9 - V2PEG - 0 - 124 - 2 / A2	2m	PVC, black, 3x0,5mm <sup>2</sup> Cable: -
55-00241	SAL - C9 - V2PEG - 0 - 124 - 3 / A2	3m	
55-00242	SAL - C9 - V2PEG - 0 - 124 - 5 / A2	5m	
55-00243	SAL - C9 - V2PEG - 0 - 124 - 10 / A2	10m	
55-00252	SAL - C9 - V2PEG - 0 - 124 - 2 / K1 / 075	2m	TPU, UL 20549, black, 3x0,75mm <sup>2</sup> Cable: 781-K17300
55-00253	SAL - C9 - V2PEG - 0 - 124 - 3 / K1 / 075	3m	
55-00254	SAL - C9 - V2PEG - 0 - 124 - 5 / K1 / 075	5m	
55-00255	SAL - C9 - V2PEG - 0 - 124 - 10 / K1 / 075	10m	
55-00256	SAL - C9 - V2PEG - 0 - 124 - 2 / A3 / 075	2m	PVC, UL 2464, grey, 3x0,75mm <sup>2</sup> Cable: 781-A37300
55-00257	SAL - C9 - V2PEG - 0 - 124 - 3 / A3 / 075	3m	
55-00258	SAL - C9 - V2PEG - 0 - 124 - 5 / A3 / 075	5m	
55-00259	SAL - C9 - V2PEG - 0 - 124 - 10 / A3 / 075	10m	

D see data sheet cable

DO NOT ALTER CAD DRAWING BY HAND	Directive 2002/95/EC RoHS compliant	Index: a 02.02.11 VF Ä3731 contact assignment modified, dimension cable diameter removed, part no. cable in table added	 dim. in mm	title: <b>Valve plug type C, ground jumpered, with protective circuit, contact pitch 9,4mm</b>	
			drawn 18.06.08 Franz		dwg no: <b>55K1A015</b>
			appd. 18.06.08 Schmidt		
THIS DRAWING MAY NOT BE COPIED OR REPRODUCED IN ANY WAY, AND MAY NOT BE PASSED ON TO A THIRD PARTY WITHOUT WRITTEN PERMISSION. OWNERSHIP AND COPYRIGHT OF CONEC GmbH		