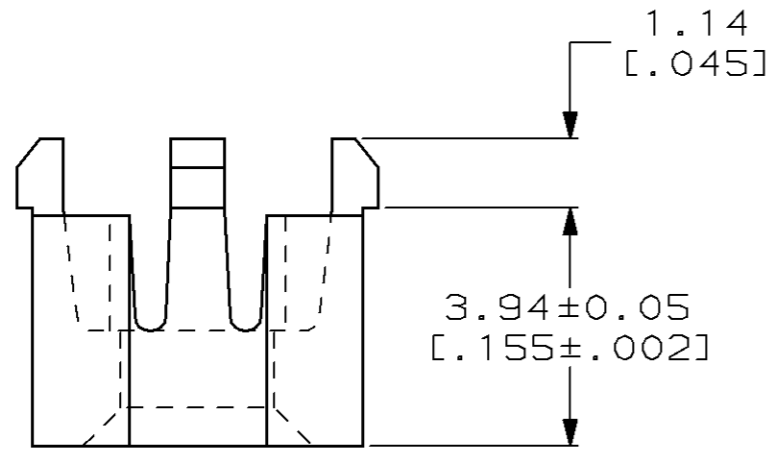
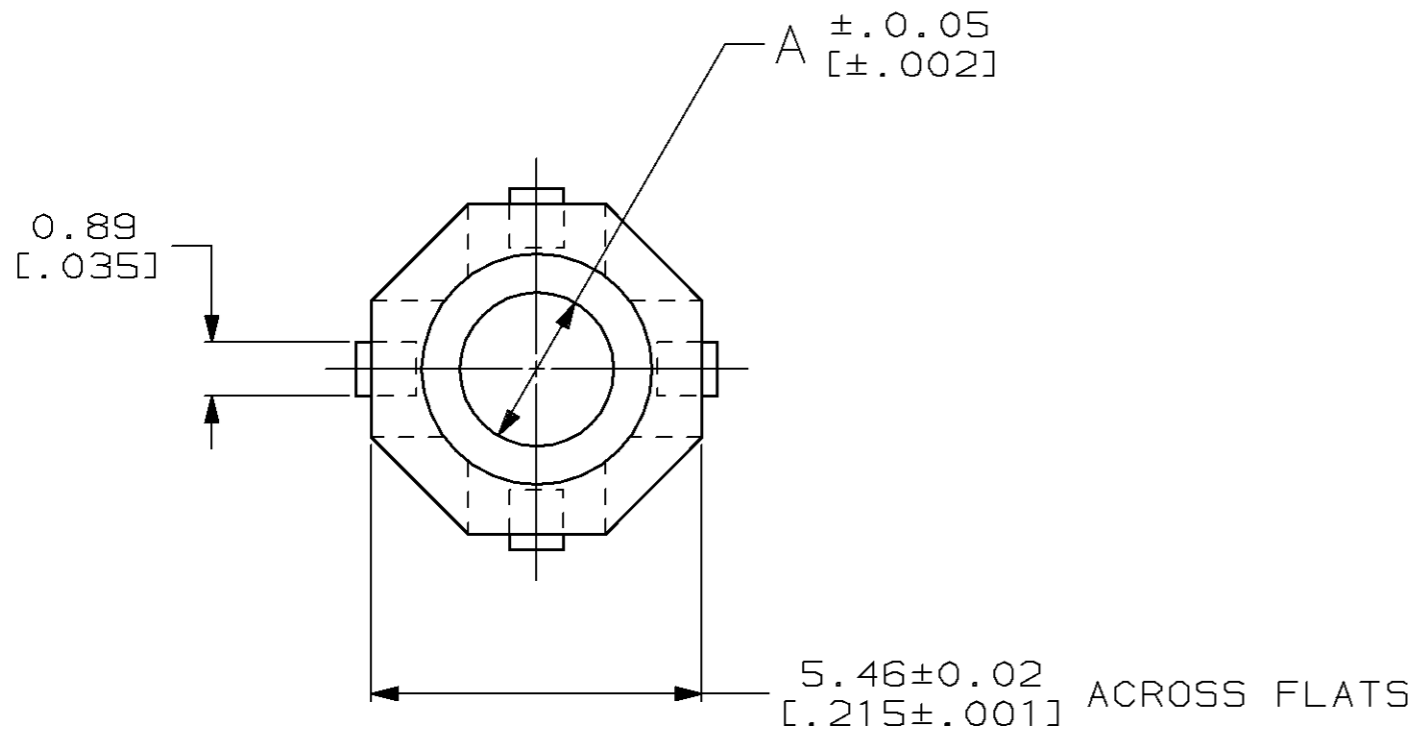
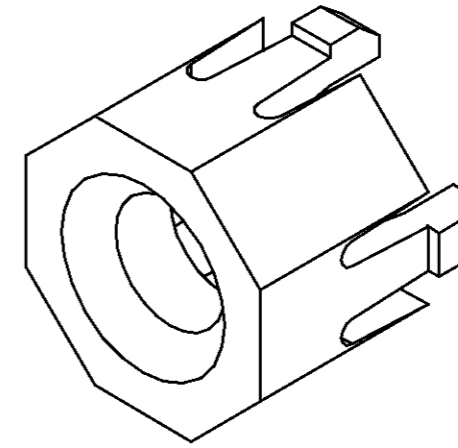


THIS DRAWING IS UNPUBLISHED. RELEASED FOR PUBLICATION, 19 .
© COPYRIGHT 19 BY AMP INCORPORATED. ALL INTERNATIONAL RIGHTS RESERVED.

LOC	DIST	P	F	ZONE	LTR	REVISIONS	DATE	APPD
AD	25				C	ECN AD	01/18/91	-



△ MATERIAL: POLYESTER; COLOR-GRAY.



3.81 [.150]	535865-2
2.54 [.100]	535865-1
A	PART NO

DO NOT SCALE PRINT. UNLESS SPECIFIED DIMENSIONS IN mm [INCHES] TOLERANCES ON: 2 PLC DEC ± - 3 PLC DEC ± 0.13 [.005] ANGLES ± -	DR 01/18/90 R.K. SEIFRIED/UTA	AMP AMP Incorporated Harrisburg, PA 17105-3608
	CHK 01/18/90 R. SEIFRIED	
	APPD 01/18/90 R. SEIFRIED	
	APPD 01/18/90 R. SEIFRIED	
MATERIAL	△ 1	NAME TBC PLUS, GUIDE PIN
FINISH	-	SIZE B
		CAGE CODE 00779
		DRAWING NO 535865
		SCALE 8:1
		SHEET 1 OF 1

METRIC