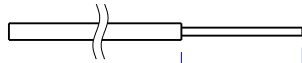


© COPYRIGHT 2018 BY INDUSTRIAL FIBER OPTICS, INC.
ALL RIGHTS RESERVED.



STRIP LENGTH 16.0
[.63"]

NOTES:

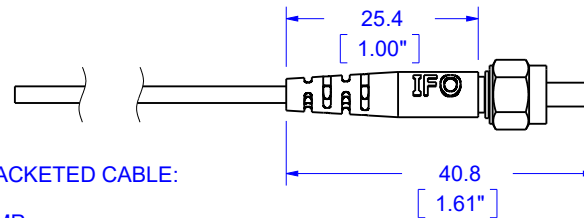
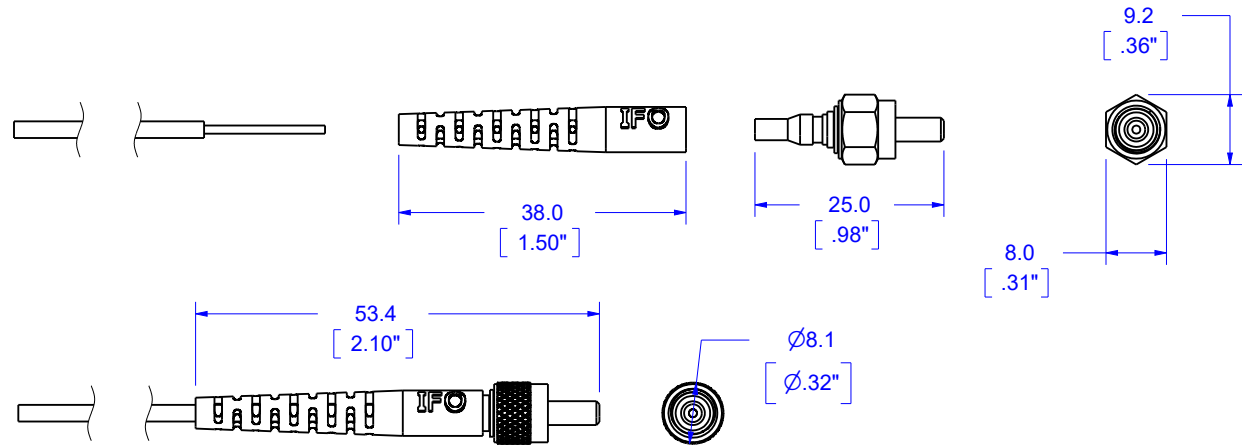
1. RoHS COMPLIANT
2. -40°C TO +85°C OPERATING TEMPERATURE
3. SUITABLE FOR 1mm POF WITH 2.2mm JACKET
4. TIA 604.1 (FOCIS 1) COMPATIBLE
5. MAXIMUM NUT TORQUE: 8 in-lbs
6. SUPPLIED WITH HEX NUT UNLESS OTHERWISE NOTED

INSTRUCTIONS FOR GH4001:

1. STRIP 16mm OF JACKET FROM FIBER.
2. SLIP BOOT OVER CABLE JACKET.
3. APPLY EPOXY TO BARE FIBER AND INSERT INTO FERRULE; ROTATE FIBER DURING INSERTION TO EVENLY DISTRIBUTE EPOXY.
4. CRIMP CONNECTOR TO CABLE JACKET USING 2.5mm [.10"] HEX CRIMP.
5. SLIP BOOT DOWN OVER CONNECTOR. POLISH AFTER EPOXY HAS CURED FULLY.

RECOMMENDED EPOXY:
EPO-TEK 301

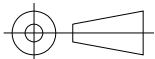
CRIMP TOOL FOR 2.2mm JACKETED CABLE:
IF 370046
USE 2.5 [.10"] HEX CRIMP



51 0053	Standard Black Boot
51 0054	Standard Red Boot
51 0056	Standard Blue Boot
51 0057	Standard Yellow Boot
51 0058	Standard White Boot
51 0062	Short Black Boot
51 0124	Std Black Boot, Knurled Nut

UNLESS OTHERWISE SPECIFIED DIMENSIONS MILLIMETERS [IN.]	PRODUCT	51 0053
	MATERIAL	Stainless Steel - 303
DIMENSIONS ARE FOR REFERENCE ONLY NO TOLERANCES MAY BE IMPLIED FROM THIS DOCUMENT	FINISH	Passivated
	DRAWN BY	B. Bidwell
	DATE	1/26/2018
	CHECKED BY	A. Reyes
	DATE	1/26/2018

Industrial Fiber Optics TEMPE, AZ 85281			
1mm POF SMA			
NAME	PART NUMBER		REV
	51 0053		C
SIZE	SCALE		
A	1:1		
DO NOT SCALE DRAWING		1 OF 1	



METRIC