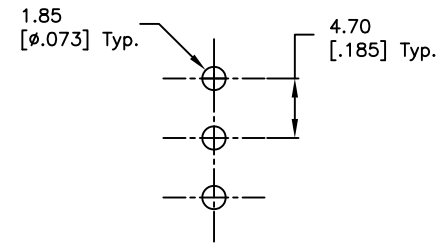
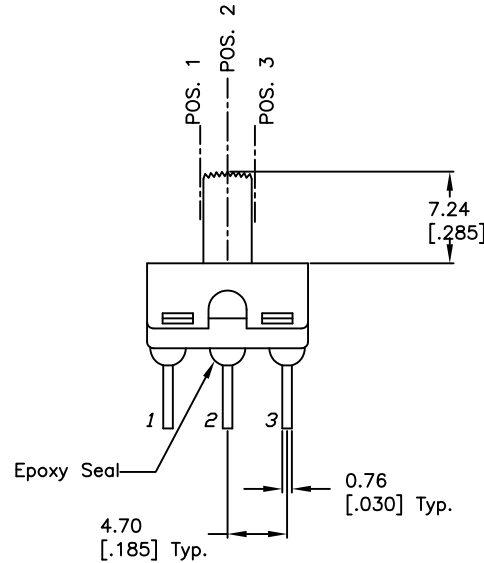
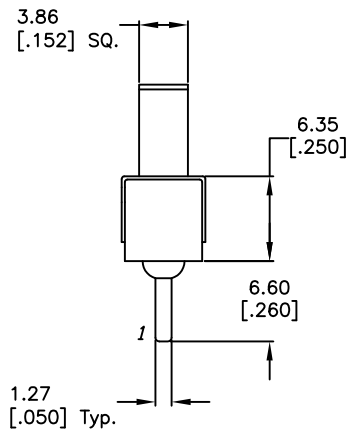
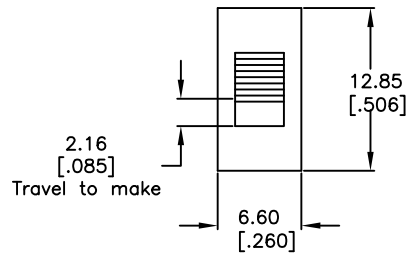
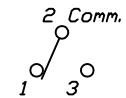


SHEET OF



RECOMMEND P.C.B. LAYOUT



CIRCUIT: SPDT
CONTACT CONFIGURATION

SWITCH FUNCTION		
POS. 1	POS. 2	POS. 3
DN	NONE	DN
2-1	OPEN	2-3

NOTES:

1. ALL DIMENSIONS IN MM [INCH]
2. GENERAL TOLERANCE: 0.0±0.4
0.00±0.25
3. TERM. NOS. FOR REF. ONLY
4. RATING: 5A @120VAC or 28VDC; 2A @250VAC
5. FIXED TERMINAL & MOVING CONTACT: Silver plated copper alloy.
6. CONTACT RESISTANCE: 10m ohm typical.
7. ELECTRICAL LIFE: 30,000 Actuations at full load.
8. INSULATION RESISTANCE: 1,000 M ohm min.
9. DIELECTRIC STRENGTH: 1,000 V RMS @sea level.
10. OPERATING TEMP.: -30°C to 85°C.

REV.	ECN No.	DESCRIPTION	DATE	CHKD
C	21566	DIM 6.60 WAS 6.35	9/03/14	rc
B	11849	DIM 7.24 WAS 7.62	12/07/01	RSB

THE INFORMATION CONTAINED IN THIS DOCUMENT IS PROPRIETARY TO E-SWITCH AND IS NOT TO BE COPIED OR TRANSFERRED

E-SWITCH®

500 SSP-1 S2 M2 Q E A

TITLE									
SCALE	2:1	DATE	2/16/00	DR	MM	DWG	T511028	REV	C