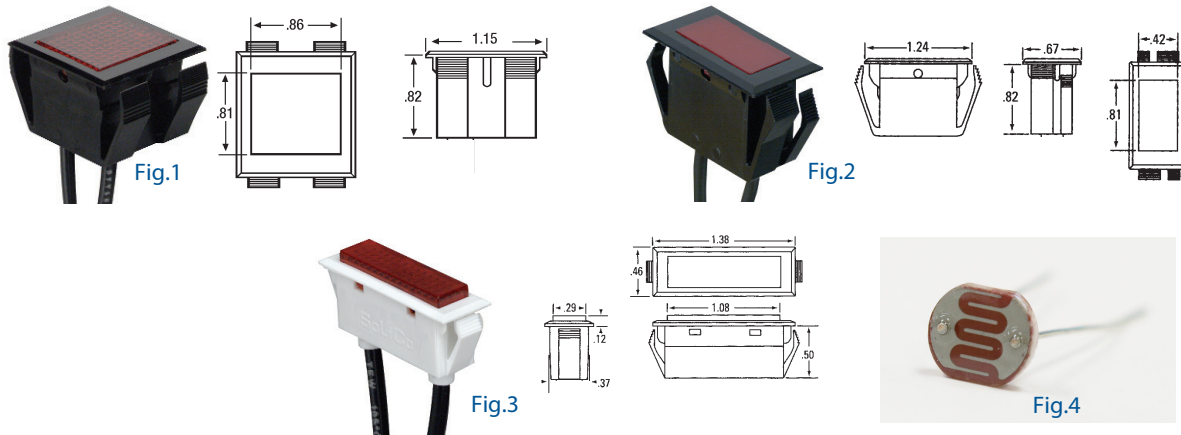


PANEL LAMPS



Large Square Snap-in Panel Lamps

These press-to-fit panel lamps are available in several colors and voltages. They are made from Nylon material and have 18 AWG 6" wire leads.

Retail Part No.	Bulk Part No.	Figure No.	Lamp Voltage	Lamp Current	Lamp Type	Lamp Termination	Lamp Life	Lamp Shape	Lamp Color
38-1132-50		1	125V		Neon	Wire Leads	25,000	Square	Red
38-1133-12		1	12V/14V	.08A	Incandescent	Wire Leads	50,000	Square	Amber
38-1135-50		1	125V		Neon	Wire Leads	25,000	Square	Green

Rectangular Snap-in Panel Lamps

This is the most popular of the rectangular lamps used today. The device snaps into a panel cutout with a minimum panel thickness of .020"-.025". All lamps are made of a Nylon material with 18 AWG 6" wire leads.

Retail Part No.	Bulk Part No.	Figure No.	Lamp Voltage	Lamp Current	Lamp Type	Lamp Termination	Lamp Life	Lamp Shape	Lamp Color
38-1022-50		2	125V		Neon	Wire Leads	25,000	Rectangular	Red
38-1023-12		2	12V/14V	.08A	Incandescent	Wire Leads	50,000	Rectangular	Amber
38-1025-50		2	125V		Neon	Wire Leads	25,000	Rectangular	Green
38-1025-12		2	12V/14V	.08A	Incandescent	Wire Leads	50,000	Rectangular	Green
38-1029-12		2	12V/14V	.08A	Incandescent	Wire Leads	50,000	Rectangular	White

3/8 Snap-in Rectangular Panel Lamps

Snaps into panel cutout of .375" x 1.28" x 0.5". The Nylon body comes with 6" 18 AWG wire leads.

Retail Part No.	Bulk Part No.	Figure No.	Lamp Voltage	Lamp Current	Lamp Type	Lamp Termination	Lamp Life	Lamp Shape	Lamp Color
38-3003-50		3	125V		Neon	Wire Leads	25,000	Rectangular	Amber

Photoconductive Cell

Retail Part No.	Figure No.	Voltage Max.	Power Disippation	Ambient Temperature	Spectral Response Max.	Lead Spacing	Body Size
J4-805	4	120Vdc	50mW continuous	(26.6 to 158)°F	(520 to 580)mm	5mm	(7 x 5.9 x 2)mm