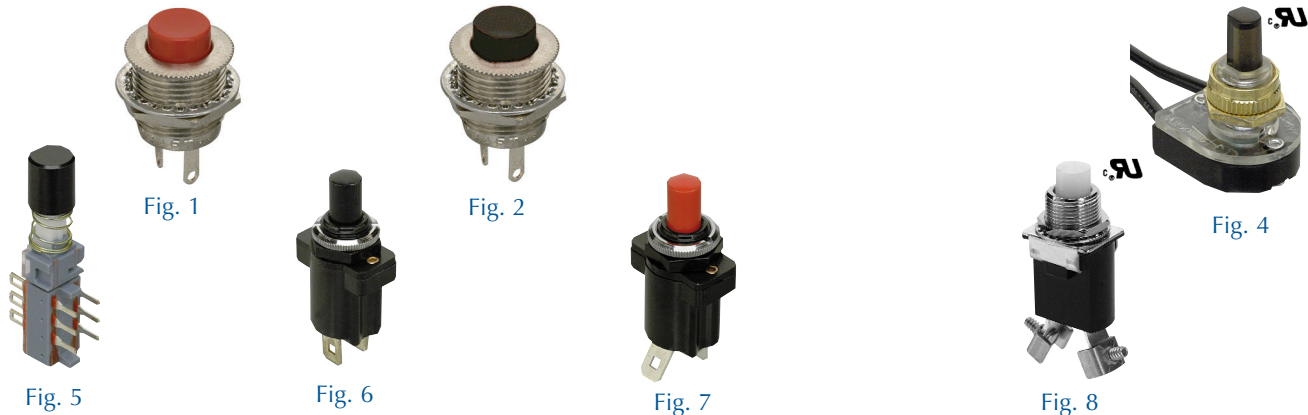


MINIATURE PUSHBUTTONS (Cont.)



| Retail Part No. | Bulk Part No. | Fig. No. | Circuit Function | Poles/Throws | Amps 125 VAC | 30 Watts | Bushing Length | Actuator Length | Actuator Color | Actuator Style | Terminal Type | Mounting Hole | Hardware | Spec. Drawing Page No. |
|-----------------|---------------|----------|------------------|--------------|---------------|--------------|----------------|-----------------|----------------|----------------|---------------|---------------|----------|------------------------|
| 35-416 | 35-416-BU | 1 | On (Off) | SPDT | N/R | 250mA | 0.391 | 0.110 | Red | RB | Sd Eyelet | 0.469 | LN, LW | 291-A |
| 35-418 | 35-418-BU | 2 | On(Off) | SPDT | N/R | 250mA | 0.391 | | Black | RB | Sd Eyelet | 0.469 | LN, LW | 291-A |
| 35-852 | 35-852-BU | 4 | On Off | SPST | 6†† | | 0.375 | 0.344 | Black | CB | 6" WL | 0.375 | N, KN | 291-C |
| Retail Part No. | Bulk Part No. | Fig. No. | Circuit Function | Poles/Throws | Amps 125 VAC | Amps 250 VAC | Bushing Length | Actuator Length | Actuator Color | Actuator Style | Terminal Type | Mounting Hole | Hardware | Spec. Drawing Page No. |
| 35-491 | 35-491-BU | 5 | On On | DPDT | 0.50** | 0.20 | | 0.406 | Black | RmB | PCB/Sd Eye | | N, LN | 291-D |
| Retail Part No. | Bulk Part No. | Fig. No. | Circuit Function | Poles/Throws | A 125/250 VAC | 30 VAC | Bushing Length | Actuator Length | Actuator Color | Actuator Style | Terminal Type | Mounting Hole | Hardware | Spec. Drawing Page No. |
| 35-475 | 35-475-BU | 6 | (On) Off | NO SPST | 0.50 | 0.50 | 0.260 | 0.500 | Black | RB | ††† | 0.500 | N, LN | 291-E |
| 35-476 | 35-476-BU | 7 | (On) Off | NO SPST | 0.50 | | 0.260 | 0.500 | Red | RB | ††† | 0.500 | N, LN | 291-E |
| 35-3471 | 35-3471-BU | 8 | On (Off) | NC SPST | *** | | 0.374 | 0.244 | White | RB | Sc | 0.500 | N, LW | 291-F |

Notes: (On)/(Off)=Momentary On/Off
 **Rated@100VAC
 ***Rated 2Amps @120VAC, 1A 277 VAC

††=3@250V AC
 †††=6.3mm Tab w/Eyelet
 35-491 is momentary on if the pin is removed
 CB=Canopy Button
 KN=Knurled Nut
 LN=Lock Nut

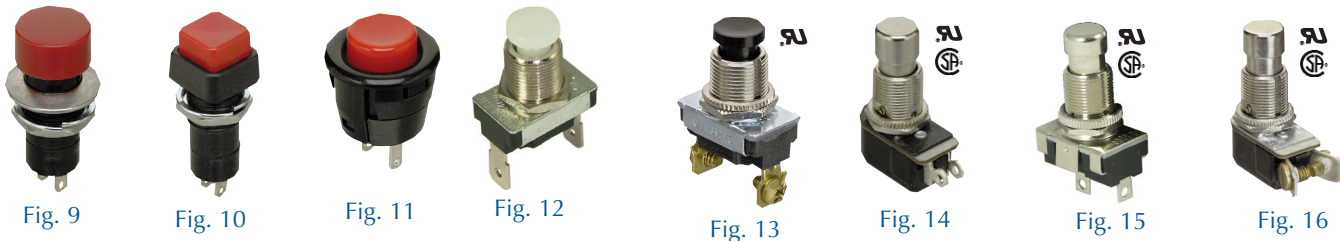
LW=Lock Washer
 N=Nut(s)
 NC=Normally Closed
 NO=Normally Open
 N/R=Not Rated

PCB=Printed Circuit Board
 RB=Round Button
 RmB=Removable Button

Sc=Screw
 Sd=Solder

STANDARD PUSHBUTTONS

Switches



| Retail Part No. | Bulk Part No. | Fig. No. | Circuit Function | Poles/Throws | Amps 125 VAC | Amps 250 VAC | Bushing Length | Actuator Length | Actuator Color/Material | Frame/Bezel | Terminal Type | Mount Hole | Hardware | Spec. Drawing Page No. |
|-----------------|---------------|----------|------------------|--------------|--------------|--------------|----------------|-----------------|-------------------------|--------------|---------------|------------|-----------|------------------------|
| 35-420 | 35-420-BU | 9 | Off (On) | NO SPST | | 3 | 0.276 | 0.354 | Red Plastic | Chrm. Ring | Sd Eyelet | 0.500 | N, W | 291-G |
| 35-421 | 35-421-BU | 10 | Off (On) | NO SPST | | 3 | 0.390 | 0.244 | Red Plastic | Black Square | Sd Eyelet | 0.500 | N, W | 291-H |
| 35-422 | 35-422-BU | 9 | On Off | SPST | | 3 | 0.276 | 0.354 | White Plastic | Chrm. Ring | Sd Eyelet | 0.500 | N, W | 291-G |
| 35-423 | 35-423-BU | 11 | Off (On) | NO SPST | 3 | N/R | Snap-in | 0.125 | Red Plastic | Black | Sd Eyelet | 0.687 | | 291-I |
| 35-3456 | 35-3456-BU | 12 | (On) Off | NO SPST | 6 | 3 | 0.500 | 0.212 | White | | Q.C. | 0.500 | N, KN | 291-J |
| 35-3457 | 35-3457-BU | 13 | Off (On) | NO SPST | 6** | 3** | 0.500 | 0.212 | Black Plastic | | Sc | 0.500 | N, KN, Sc | 291-J |
| 35-3458 | 35-3458-BU | 13 | (Off) On | NC SPST | *** | *** | 0.490 | 0.200 | Red Plastic | | Sc | 0.500 | N, KN, Sc | 291-K |
| 35-430 | 35-430-BU | 14 | Off (On) | NO SPST | 6 | 3 | 0.562 | 0.437 | Chrm. Metal | | Sd Eyelet | 0.500 | N, KN | 291-L |
| 35-432 | 35-432-BU | 14 | On (Off) | NC SPST | 6 | 3 | 0.562 | 0.437 | Chrm. Metal | | Sd Eyelet | 0.500 | N, KN | 291-L |
| 35-448 | 35-448-BU | 15 | On Off | SPST | 6 | 3 | 0.561 | 0.415 | Chrm. Metal | | Sd Eyelet | 0.500 | N, KN | 291-M |
| 35-449 | 35-449-BU | 16 | On Off | SPST | 6 | 3 | 0.561 | 0.437 | Chrm. Metal | | Sc | 0.500 | N, KN | 291-L |

Notes: (On)/(Off)/(SPDT)=Momentary Action
 *Rated 8Amps @125V DC, 4Amps @250V DC, 1/3 HP @125VAC;
 **Rated 6Amps @120VAC/3Amps @240VAC
 ***Rated 3Amps @120VAC/1.5Amps @277VAC
 ****Rated 25/15Amps @6/12VDC

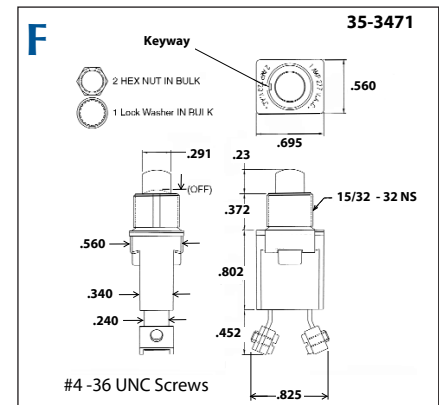
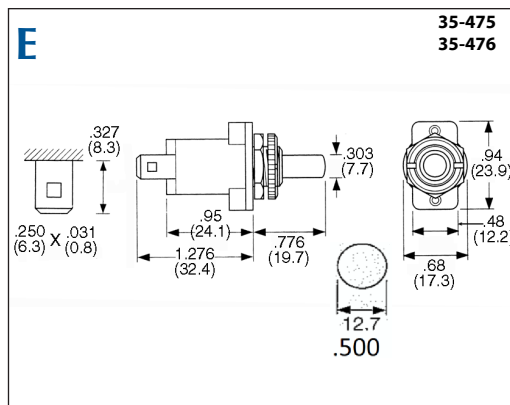
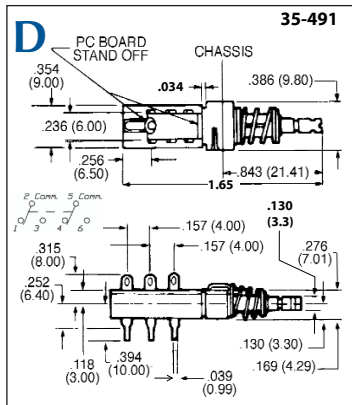
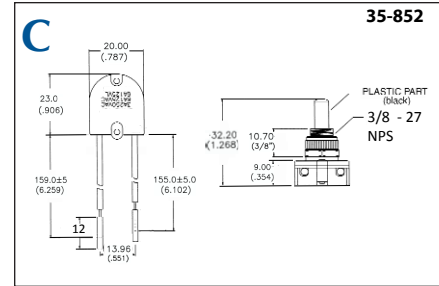
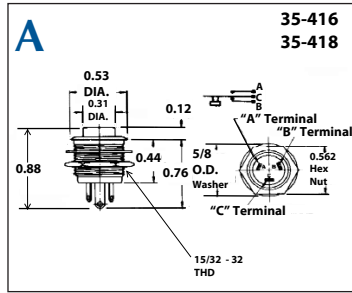
†=Rated 1/2 HP @250VDC
 Chrm.=Chrome
 HP=Horse Power
 KN=Knurled Nut
 N=Nut(s)

NC=Normally Closed
 NO=Normally Open
 N/R=Not Rated
 QC=Quick Connect
 Sc=Screw

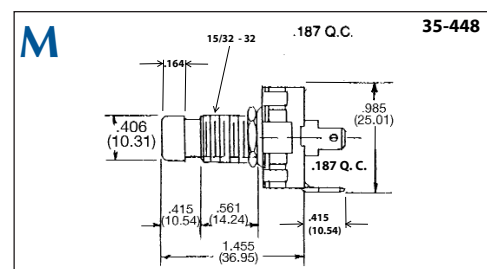
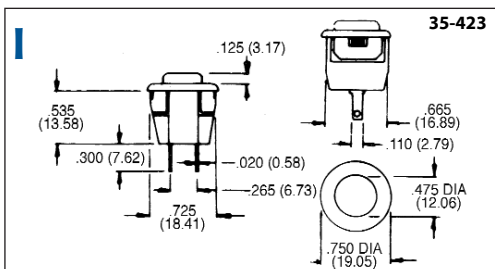
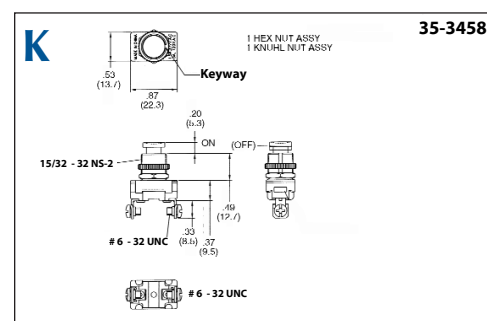
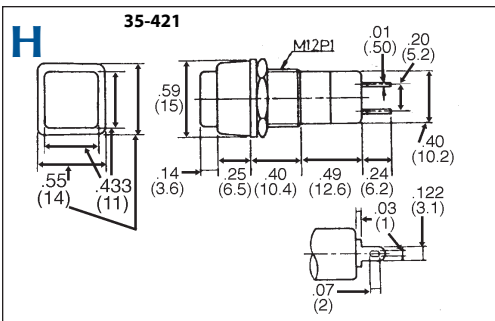
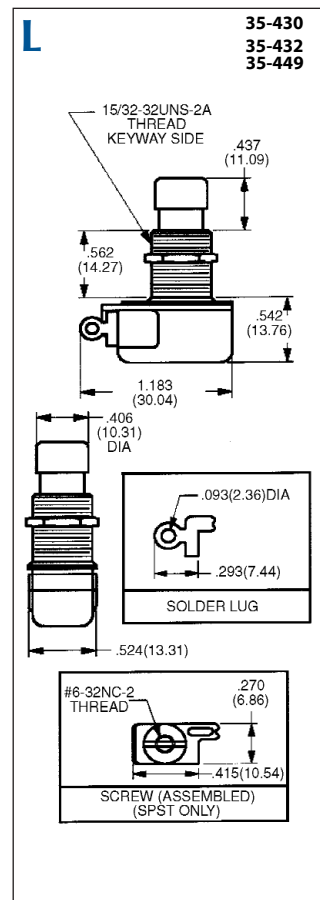
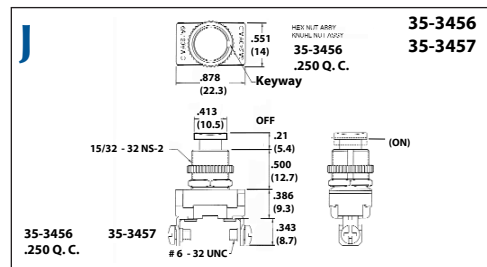
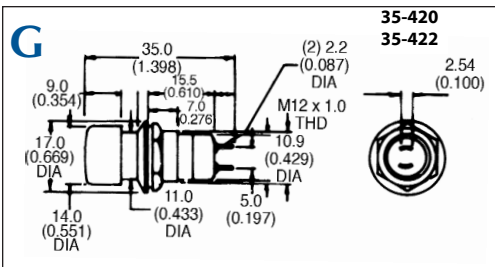
Sd=Solder
 W=Washer
 WL=Wire Lead

Note: All figures are for illustration purpose only, and the number/type of terminals may vary.

MINIATURE PUSHBUTTONS (Cont.)



STANDARD PUSHBUTTONS (Cont.)



Switches