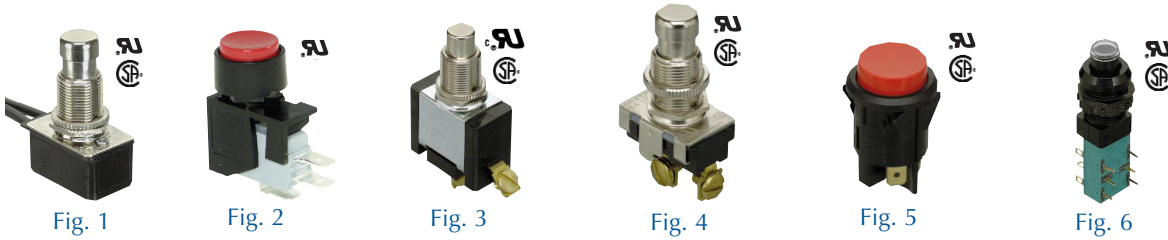


STANDARD PUSHBUTTONS (Cont.)



Retail Part No.	Bulk Part No.	Fig. No.	Circuit Function	Poles/Throws	Amps 125 VAC	Amps 250 VAC	Bushing Length	Actuator Length	Actuator Color/Material	Frame/Bezel	Terminal Type	Mount Hole	Hardware	Spec. Drawing Page No.
35-3454	35-3454-BU	1	On Off	SPST††	10*	N/R	0.561	0.410	Chrm. Metal		6" WL	0.500	N, KN	293-A
35-473	35-473-BU	2	NO or NC	SPDT	16†	16†	0.380	0.125	Red Plastic	Black Shroud	QC .250"	0.500	N	293-B
35-458	35-458-BU	3	On Off	SPST	15	10	0.562	0.238	Chrm. Metal		Sc	0.500	N, KN, Sc	293-C
35-3425	35-3425-BU	4	On Off	SPST	15	10	0.561	0.415	Chrm. Metal		Sc	0.500	N, KN, Sc	293-D
35-3427	35-3427-BU	4	Off (On)	NO SPST	15	10	0.561	0.415	Chrm. Metal		Sc	0.500	N, KN, Sc	293-D
35-3429	35-3429-BU	4	On (Off)	NC SPST	15	10	0.561	0.415	Chrm. Metal		Sc	0.500	N, KN, Sc	293-D
35-3490	35-3490-BU	4	On On	SPDT	15	10	0.561	0.415	Chrm. Metal		Sc	0.500	2 N, Sc	293-D
35-455	35-455-BU	5	Off On	SPST	16^	16	Snap-in	0.157	Red Plastic	Black	QC .250"/Sd	0.992		293-E
35-457	35-457-BU	5	Off (On)	NO SPST	16^	16	Snap-in	0.157	Red Plastic	Black	QC .250"/Sd	0.992		293-E
35-459	35-459-BU	5	Off (On)	NO SPST	16^	16	Snap-in	0.157	Black Plastic	Black	QC .250"/Sd	0.992		293-E
35-490	35-490-BU	6	On Off	DPDT††	8	6	0.730	0.312	OrangeΔ	Black	PCB/Sd Lug	0.530	N, W	293-F

Notes: (On)/(Off)/(SPDT)=Momentary Action
 *Rated 8Amps @125V DC, 4Amps @250V DC, 1/3 HP @125VAC;
 **Rated 6Amps @120VAC/3Amps @240VAC
 ***Rated 3Amps @120VAC/1.5Amps @277VAC
 ****Rated (25, 15) Amps @ (6,12) VDC
 ^=1/2 HP @ 125VAC, 1 HP @ 250 VAC
 †=Rated 1/2 HP @125 VAC, 0.2A @250 VDC

††=Alternate Action
 Chrm.=Chrome
 HP=Horse Power
 35-490 comes with Nut and Washer Hardware
 35-490 pin can be removed to make momentary
 Δ=Mechanical Indicator, non-illuminated

NC=Normally Closed
 NO=Normally Open
 N/R=Not Rated
 QC=Quick Connect
 Sc=Screw

Sd=Solder
 W=Washer
 WL=Wire Lead
 KN=Knurled Nut
 N=Nut(s)

LIGHTED PUSHBUTTONS



Switches

Retail Part No.	Bulk Part No.	Fig. No.	*Circuit Function	Poles/Throws	Amps 125 VAC	Amps 250 VAC	Amps 14 VDC	HP 125 VAC	Bushing Length	Actuator Length	Actuator Color	Actuator Style	Terminal Type	Mounting Hole	Spec Drawing Page No.
35-480	35-480-BU	8^	On Off	SPST	10	10	10	1/4	Snap-in	0.360	Red Lens	Square	QC .25"/Sd	1.10 x 0.88	293-J
35-482	35-482-BU	8^	On Off	SPST	10	10	10	1/4	Snap-in	0.360	Amber Lens	Square	QC .25"/Sd	1.10 x 0.88	293-J
35-484	35-484-BU	8^	On Off	SPST	10	10	10	1/4	Snap-in	0.360	Green Lens	Square	QC .25"/Sd	1.10 x 0.88	293-J
35-3412		9	(1NC) (1NO)	SPDT		4†			0.295	0.196		Square	Sd Eyelet	0.638	293-H
35-3414		9	1NC 1NO	SPDT		4†			0.295	0.196		Square	Sd Eyelet	0.638	293-H
35-3430		9	2NC 2NO	DPDT		4†			0.295	0.196		Square	Sd Eyelet	0.638	293-H
35-3431		10	2NC 2NO	DPDT		4†			0.295	0.196		Rq	Sd Eyelet	0.638	293-I
35-3432		10	(1NC) (1NO)	SPDT		4†			0.295	0.196		Rq	Sd Eyelet	0.638	293-I

Lens and Diffuser Kits

Choose a Lens and Diffuser Kit below to go with Fig. 9 and Fig. 10 above part numbers (Sold Separately)

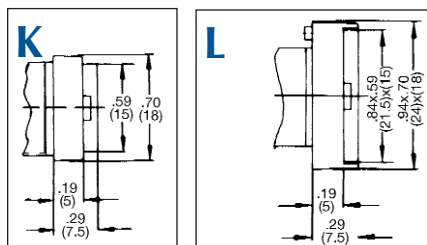
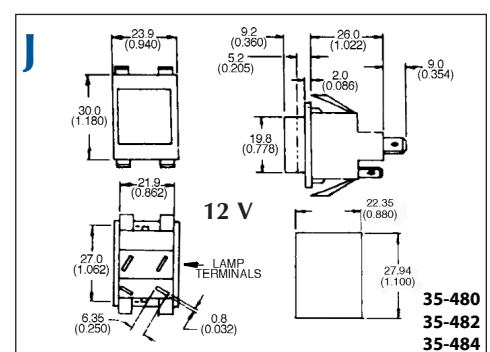
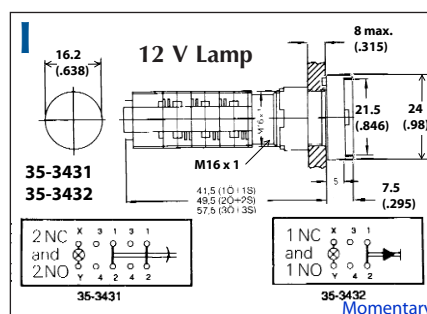
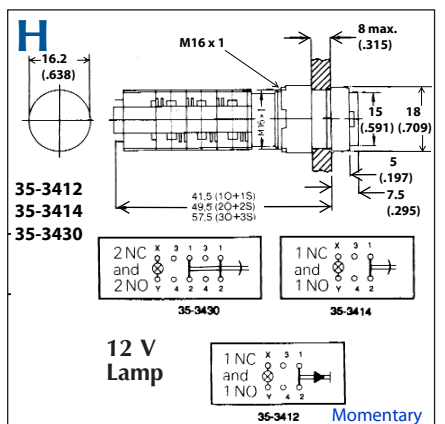
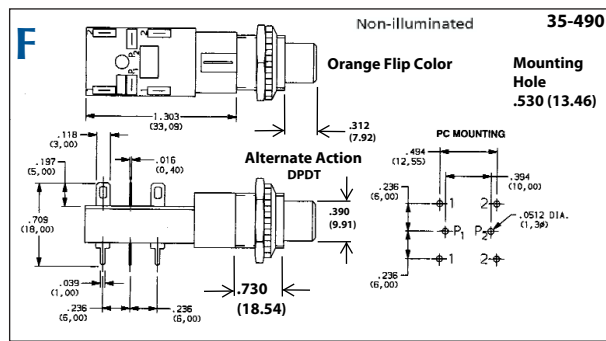
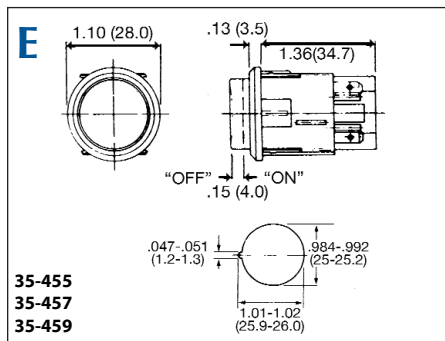
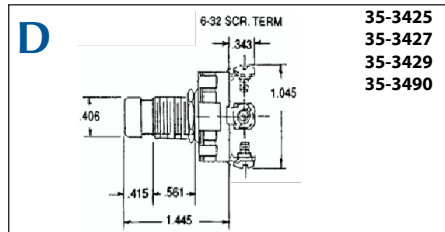
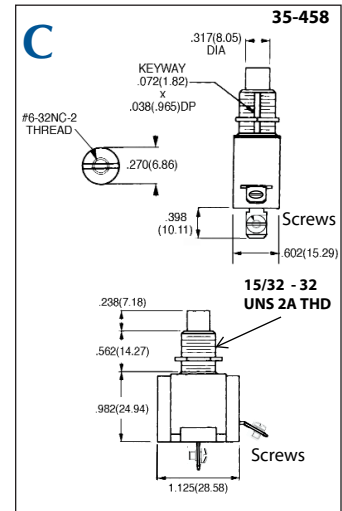
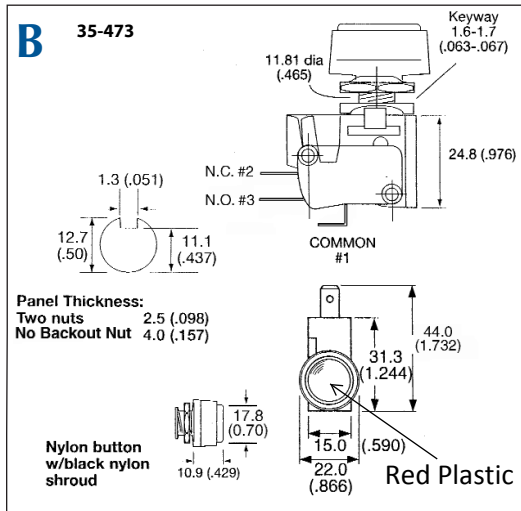
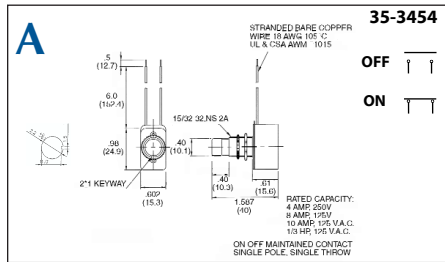
Retail Part No.	Fig. No.	Style	Color	Spec Drawing Page No.
35-3435	11	Square	Green	293-K
35-3438	11	Square	Clear	293-K
35-3440	12	Rectangle	Green	293-L
35-3444	12	Rectangle	Yellow	293-L

Notes: ()=Momentary Function
 *NC=Normally Closed and NO=Normally Open
 ^=12V Incandescent

N/R=Not Rated
 PCB=Printed Circuit Board
 †=0.2A @ 220VDC, 5mA @ 12VAC/DC

††=Lens Only
 QC=Quick Connect
 Rg=Rectangle
 Sd=Solder

STANDARD PUSHBUTTONS (Cont.)



Switches