

## HEAVY DUTY TOGGLES



Fig. 1



Fig. 2



Fig. 3



Fig. 4



Fig. 5



Fig. 6

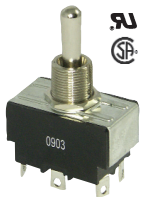


Fig. 7



Fig. 8



Fig. 9



Fig. 10



Fig. 11



Fig. 12

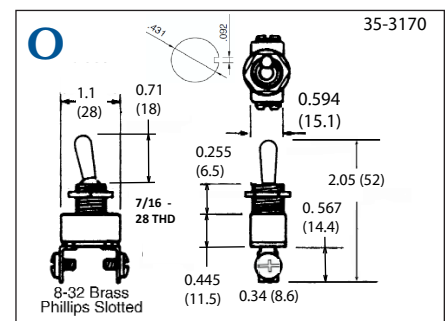
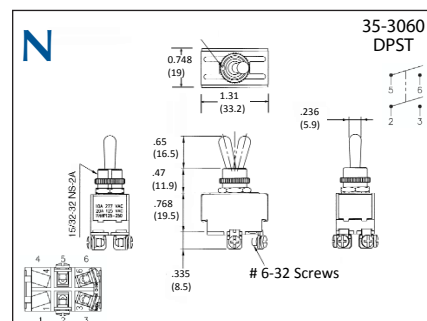
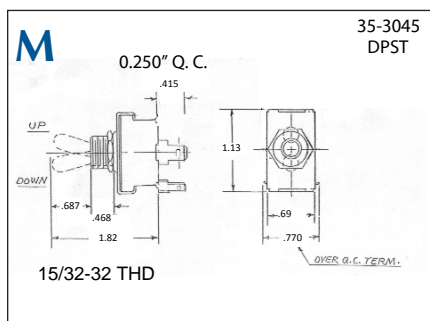
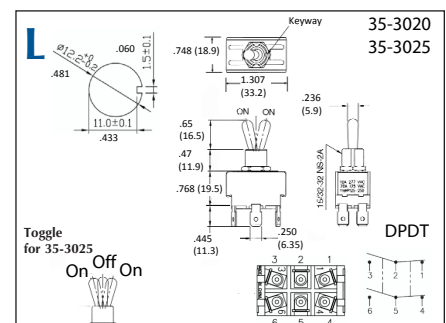
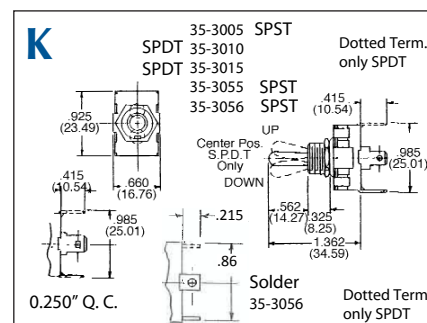
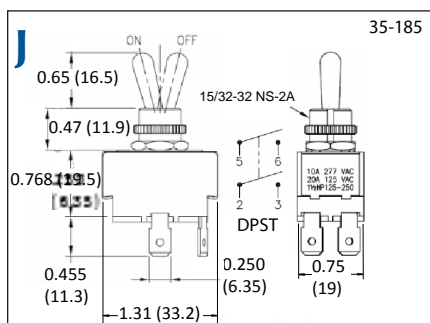
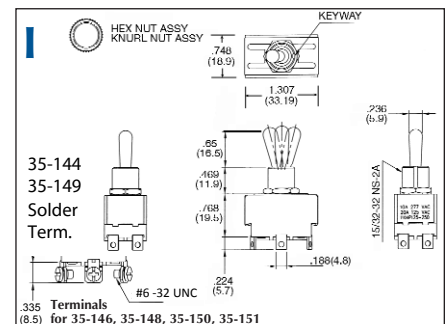
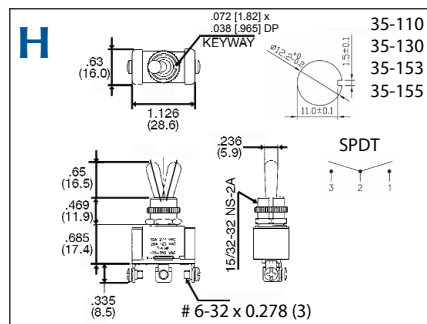
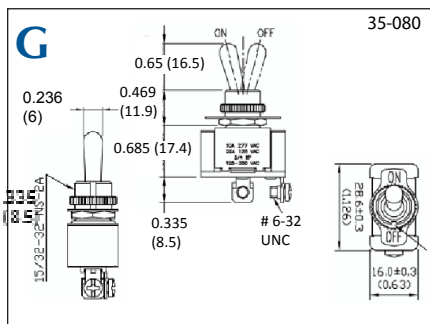
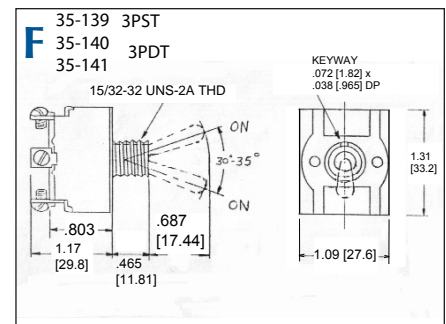
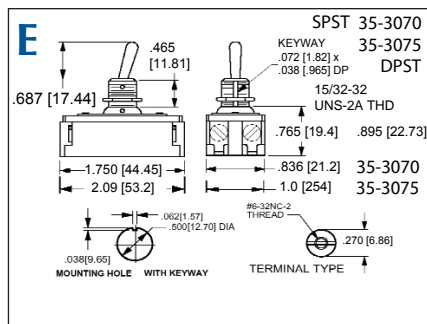
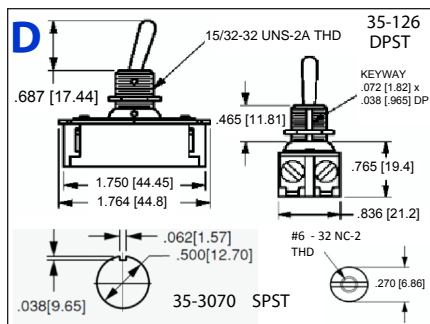
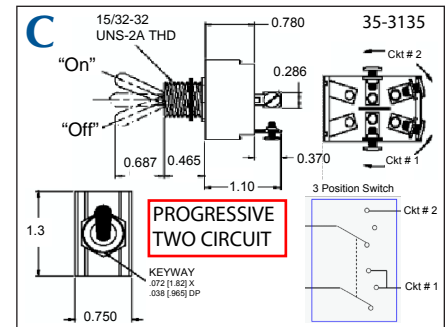
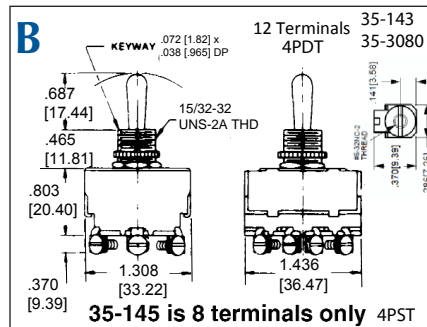
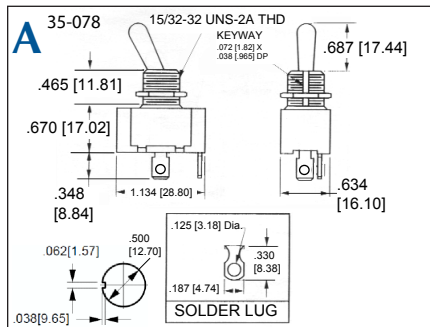
Retail Part No.	Bulk Part No.	Fig. No.	Circuit Function	Poles/Throws	AMPS 125VAC	AMPS 250VAC	HP 125-250VAC	Actuator Style	Actuator Material	Bushing Length	Mounting Hole	Terminal Type	Hardware	Spec. Drawing Page No.
35-078	35-078-BU	1	On Off	SPST	15	10	3/4	Bat	Metal	0.465	0.500	Solder	N, KN	277-A
35-143	35-143-BU	2	On Off On	4PDT	15	10	3/4	Bat	Metal	0.465	0.500	Screw	N, FN, Sc	277-B
35-145	35-145-BU	2	On Off	4PST	15	10	3/4	Bat	Metal	0.465	0.500	Screw	N, FN, Sc	277-B
35-3080	35-3080-BU	2	On On	4PDT	15	10	3/4	Bat	Metal	0.465	0.500	Screw	N, FN, Sc	277-B
35-3135	35-3135-BU	3	** 1On Off	†	15	10	1/2	Bat	Brass	0.468	0.500	Screw	N, FN, Sc	277-C
35-126	35-126-BU	4	On Off	DPST	16	8	1	Bat	Metal	0.465	0.500	Screw	N, FN	277-D
35-3070	35-3070-BU	4	On Off	SPST	16	8	1	Bat	Metal	0.465	0.500	Screw	N, Sc	277-D & 277-E
35-139	35-139-BU	5	On Off	3PST	17	12	1-1/2	Bat	Metal	0.465	0.500	Screw	N, FN, Sc	277-F
35-140	35-140-BU	5	On Off On	3PDT	17	12	1-1/2	Bat	Metal	0.465	0.500	Screw	N, FN, Sc	277-F
35-141	35-141-BU	5	On On	3PDT	17	12	1-1/2	Bat	Metal	0.465	0.500	Screw	N, FN, Sc	277-F
35-080	35-080-BU	8	On Off	SPST	20	10*	3/4	Bat	Metal	0.470	0.500	Screw	N, KN, Sc, ID	277-G
35-110	35-110-BU	8	On Off On	SPDT	20	10*	3/4	Bat	Metal	0.470	0.500	Screw	N, KN, Sc	277-H
35-130	35-130-BU	8	On On	SPDT	20	10*	3/4	Bat	Metal	0.470	0.500	Screw	N, KN, Sc	277-H
35-144	35-144-BU	7	On On	DPDT	20	10*	1-1/2	Bat	Metal	0.465	0.500	Solder	N, KN	277-I
35-146	35-146-BU	6	On On	DPDT	20	10*	1-1/2	Bat	Metal	0.470	0.500	Screw	N, KN, Sc	277-I
35-148	35-148-BU	6	On Off On	DPDT	20	10*	1-1/2	Bat	Metal	0.470	0.500	Screw	N, KN, Sc	277-I
35-149	35-149-BU	7	On Off On	DPDT	20	10	3/4	Bat	Metal	0.465	0.500	Solder	N, KN	277-I
35-150	35-150-BU	6	(On) Off (On)	DPDT	20	10*	1-1/2	Bat	Metal	0.470	0.500	Screw	N, KN, Sc	277-I
35-151	35-151-BU	6	On Off (On)	DPDT	20	10*	1-1/2	Bat	Metal	0.470	0.500	Screw	N, KN, Sc	277-I
35-153	35-153-BU	8	On Off (On)	SPDT	20	10*	3/4	Bat	Metal	0.470	0.500	Screw	N, KN, Sc	277-H
35-155	35-155-BU	8	(On) Off (On)	SPDT	20	10*	3/4	Bat	Metal	0.470	0.500	Screw	N, KN, Sc	277-H
35-185	35-185-BU	3	On Off	DPST	20	10*	1-1/2	Bat	Metal	0.465	0.500	QC .250"	N, KN	277-J
35-3005	35-3005-BU	10	On Off	SPST	20	10	3/4	Bat	Brass	0.325	0.500	QC .250"	N, KN	277-K
35-3010	35-3010-BU	9	On On	SPDT	20	10	3/4	Bat	Brass	0.325	0.500	QC .250"	N, KN	277-K
35-3015	35-3015-BU	9	On Off On	SPDT	20	10	3/4	Bat	Brass	0.325	0.500	QC .250"	N, KN	277-K
35-3020	35-3020-BU	7	On On	DPDT	20	10*	1-1/2	Bat	Brass	0.468	0.500	QC .250"	N, KN	277-L
35-3025	35-3025-BU	7	On Off On	DPDT	20	10*	1-1/2	Bat	Brass	0.468	0.500	QC .250"	N, KN	277-L
35-3045	35-3045-BU	10	On Off	DPST	20	10	3/4	Bat	Brass	0.468	0.500	QC .250"	N, KN	277-M
35-3055	35-3055-BU	9	Off (On)	SPST	20	10	3/4	Bat	Brass	0.468	0.500	QC .250"	N, KN	277-K
35-3056	35-3056-BU	9	On Off	SPST	20	10	3/4	Bat	Brass	0.325	0.500	Solder	N, KN	277-K
35-3060	35-3060-BU	3	On Off	DPST	20	10*	1-1/2	Bat	Brass	0.468	0.500	Screw	N, KN, Sc	277-N
35-3075	35-3075-BU	11	On Off	DPST	20	10	1-1/2	Bat	Brass	0.465	0.500	Screw	N, Sc	277-E
35-3170	35-3170-BU	12	On Off	SPST	***	***	1/2	Bat	Brass	0.500	0.438	Screw	KN, Sc	277-O

Notes: (On)/(Off)=Momentary On/Off  
 \*Rated @ 277VAC  
 \*\*1&2 On  
 \*\*\*Rated 20A @ 12VDC  
 FN=Face Nut  
 †=Progressive Two Circuit

ID=ID Plate  
 KN=Knurled Nut  
 N=Nut  
 QC=Quick Connect  
 Sc=Screw

Note: All figures are for illustration purpose only, and the number/type of terminals may vary.

## HEAVY DUTY TOGGLES (Cont.)



Switches