

FEATURES:

- .125" (3.175mm) Contact Spacing x .250" (6.35mm) Row Spacing
- Accepts .062" (1.57mm) Nominal Thickness P.C. Board
- High Profile Insulator Body, .600" (15.24mm)
- Contact Termination Options include P.C. Tail, Wire Wrap, 90 Degree Bends and Extender Board Bends
- Single or Dual Row Configurations
- Large Variety of Mounting Options, Flush or Offset Lugs
- Accepts between Contact and In-Contact Polarizing Keys
- Pre-assembled Card Guides are available
- Automatic Wire Wrap Positioning Holes
- RoHS Compliant & UL Recognized

Specifications:

Insulator Material	UL 94V-0 Thermoplastic Polyester
Contact Material	Copper Alloy
Contact Plating	Gold Plating on mating area and Tin Plating on tails with Nickel underplating all over
Current Rating	3 Amperes
Contact Resistance	10 milliohms maximum
Dielectric Withstand Voltage	1500 VAC rms at sea level between adjacent contacts
Insulation Resistance	5000 Megohms minimum
Operating Temperature	-40°C to +105°C
Insertion Force	16oz (4.45N) maximum per contact pair when tested with .070" (1.78mm) thick gauge
Withdrawal Force	1oz (0.28N) minimum per contact pair when tested with .054" (1.37mm) thick gauge

Example Part Number: **346-056-540-802**

Series _____

Total Number of Contacts _____

Contact Code _____

Contact Rows and Insulator Style _____

Mounting Options _____

Series:	Insulator Color
346	Thermoplastic Polyester, Green
396	Thermoplastic Polyester, Black

Total Number of Contacts:	Contact Rows
005, 006, 050	Single Row
010, 012, 100	Dual Row

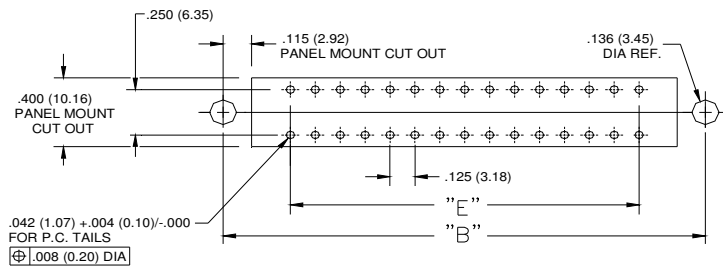
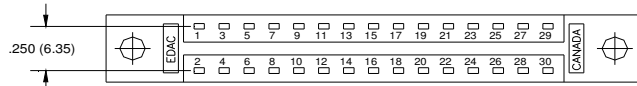
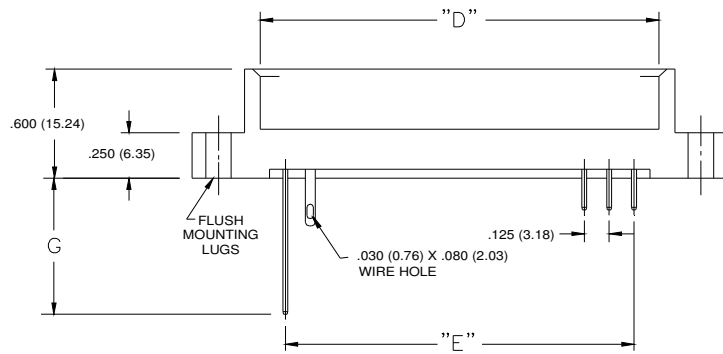
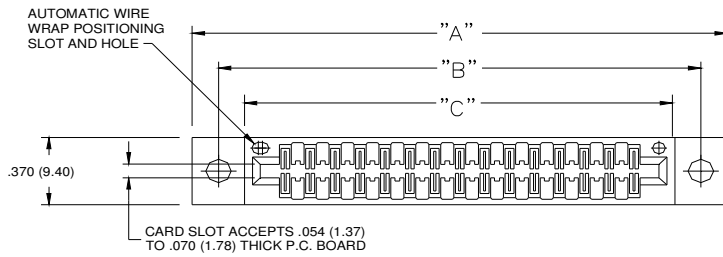
Contact Rows and Insulator Style	Description
1	Single Row, Flush Mounting Lugs
2	Dual Row, Flush Mounting Lugs
6	Single Row, .170 (4.32) Offset Lugs
8	Dual Row, .170 (4.32) Offset Lugs

Mounting Options:	Description
01	No Mounting Lug
02	Ø.128" (Ø3.25mm) Mounting Holes
03	Ø.116" (Ø2.95mm) I.D. Floating Eyelets
04	Ø.156" (Ø3.96mm) Mounting Holes
07	M3-0.5 Metric Threaded Inserts
08	#4-40 Unified Threaded Inserts
12	Ø.128" (Ø3.25mm) Side Mounting Holes
58	.468" (11.89mm) Offset Card Guides
78	In-Line Card Guides 2.750" (69.85mm) Long
88	In-Line Card Guides 1.250" (31.75mm) Long

Contact Code	Description & Tail Size	Tail Length "G"
500	Wire Hole .050 x .025 (1.27 x 0.64)	.260 (6.60)
520	P.C. Tail .025 Square (0.64 Square)	.175 (4.45)
521	P.C. Tail .025 Square (0.64 Square)	.150 (3.81)
522	P.C. Tail .025 Square (0.64 Square)	.440 (11.18)
526	P.C. Tail .025 Square (0.64 Square)	.350 (8.89)
540	Wire Wrap .025 Square (0.64 Square)	.560 (14.22)
541	Wire Wrap .025 Square (0.64 Square)	.750 (19.05)
555	EXTENDER BOARD BEND (Code 500 Contacts)	
556	EXTENDER BOARD BEND (Code 520 Contacts)	
558	90 DEGREE BEND (Code 541 Contacts)	
559	90 DEGREE BEND (Code 541 Contacts)	
560	EXTENDER BOARD BEND (Code 526 Contacts)	

Ordering Code Notes:

- 1) All connector sizes up to 50 contacts single row / 100 contacts dual row are available upon request.
- 2) The 500 contact code is only available in the 346 series. Green polyphenylene sulphide insulator material will be supplied.
- 3) For details of the extender board and 90 degree bends refer to next pages.
- 4) Consult with EDAC Inc. regarding connectors with a .420" (10.67mm) card slot depth.
- 5) For lug-less connectors, code 01 mounting, specify contact row code 1 or 2.
- 6) In-line card guides are only with offset mounting lugs.
- 7) For details of the mounting options refer to next pages.



CONNECTOR MOUNTING PATTERN

IN-CONTACT POLARIZING KEY

P/N 345-240-328

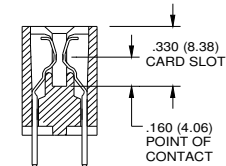
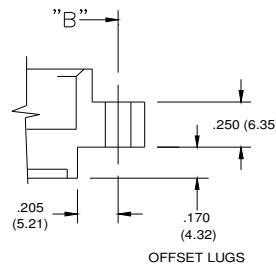


BETWEEN CONTACT POLARIZING KEY

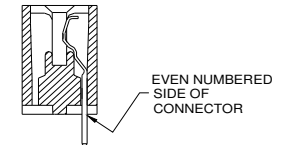
P/N 306-240-318



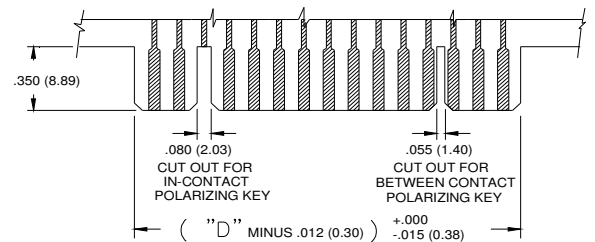
SECTIONS THROUGH CONTACT POSITION



DUAL ROW

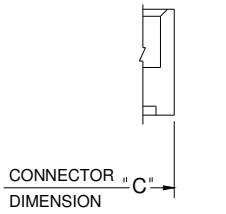


SINGLE ROW

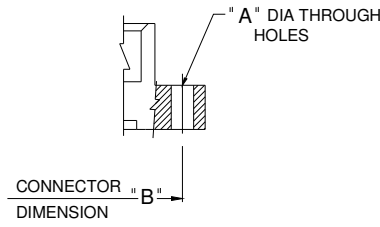


RECOMMENDED DAUGHTER BOARD

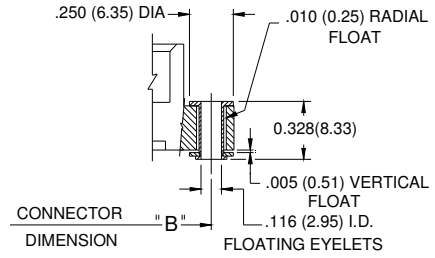
NUMBER OF CONTACTS		"A"		"B"		"C"		"D"		"E"	
Single	Double	Inch	mm	Inch	mm	Inch	mm	Inch	mm	Inch	mm
5	10	1.435	36.45	1.170	29.72	0.910	23.11	0.750	19.05	0.500	12.70
6	12	1.560	39.62	1.295	32.89	1.035	26.29	0.875	22.23	0.625	15.88
10	20	2.060	52.32	1.795	45.59	1.535	38.99	1.375	34.93	1.125	28.58
15	30	2.685	68.20	2.420	61.47	2.160	54.86	2.000	50.80	1.750	44.45
18	36	3.060	77.72	2.795	70.99	2.535	64.39	2.375	60.33	2.125	53.98
22	44	3.560	90.42	3.295	83.69	3.035	77.09	2.875	73.03	2.625	66.68
25	50	3.935	99.95	3.670	93.22	3.410	86.61	3.250	82.55	3.000	76.20
30	60	4.560	115.82	4.295	109.09	4.035	102.49	3.875	98.43	3.625	92.08
31	62	4.685	119.00	4.420	112.27	4.160	105.66	4.000	101.60	3.750	95.25
35	70	5.185	131.70	4.920	124.97	4.660	118.36	4.500	114.30	4.250	107.95
36	72	5.310	134.87	5.045	128.14	4.785	121.54	4.625	117.48	4.375	111.13
40	80	5.810	147.57	5.545	140.84	5.285	134.24	5.125	130.18	4.875	123.83
43	86	6.185	157.10	5.920	150.37	5.660	143.76	5.500	139.70	5.250	133.35
50	100	7.060	179.32	6.795	172.59	6.535	165.99	6.375	161.93	6.125	155.58



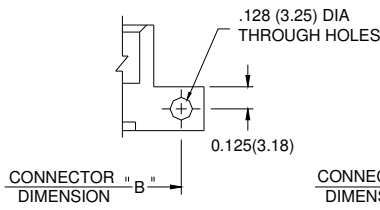
MOUNTING OPTION
CODE x01
(NO MOUNTING LUGS)



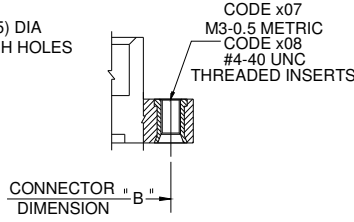
MOUNTING OPTION
CODES x02 AND x04
(THROUGH MOUNTING HOLES)



MOUNTING OPTION
CODE x03
(FLOATING EYELETS)

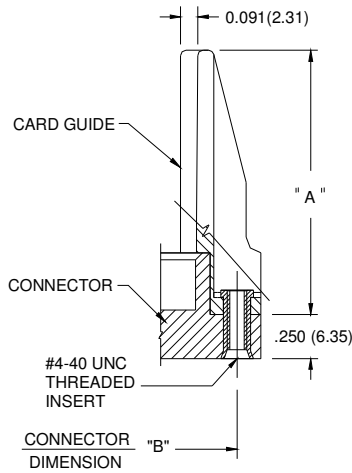


MOUNTING OPTION
CODE x12
(SIDE MOUNTING HOLES)
WITH INSERTS: CODES X17 & X18,
SEE TABLE

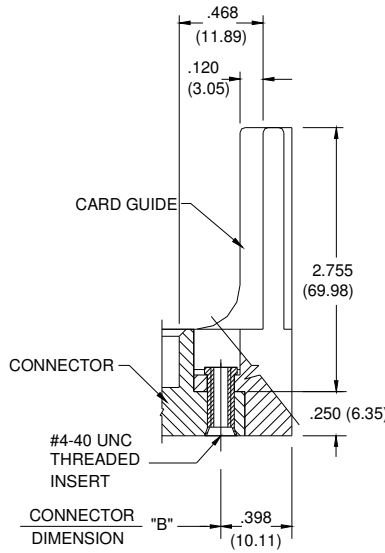


MOUNTING OPTION
CODES x07 & x08
(THREADED INSERTS)

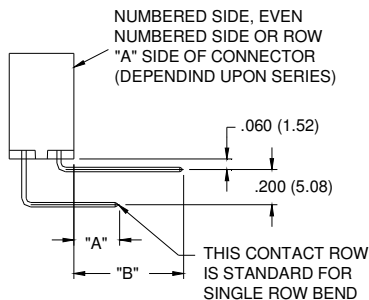
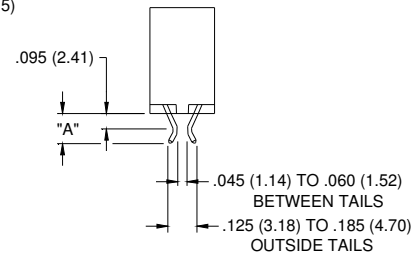
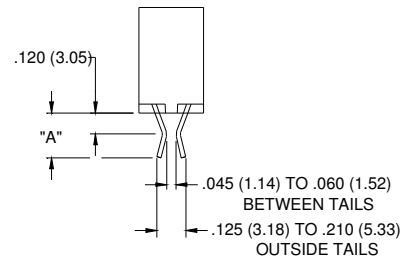
CODE X02 AND X04- THROUGH MTG. HOLES		
	CODE X02	CODE X04
"A" DIA.	0.128(3.25)	0.156(3.96)
CODE X07 AND X08- THREADED INSERTS		
	CODE X07	CODE X08
INSERT	M3-0.5(METRIC)	#4-40 UNC
SIDE MOUNTING HOLES WITH INSERTS		
	CODE X17	CODE X18
INSERT	M3-0.5(METRIC)	#4-40 UNC
CODE X78 - IN-LINE CARD GUIDES		
	CODE X78	
"A"	2.750(69.85)	



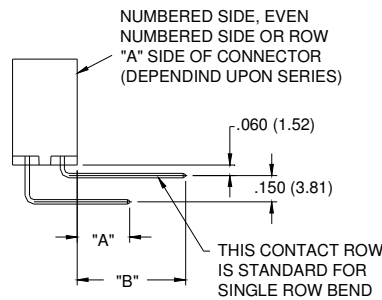
MOUNTING OPTION
CODE x78
(IN-LINE CARD GUIDE)



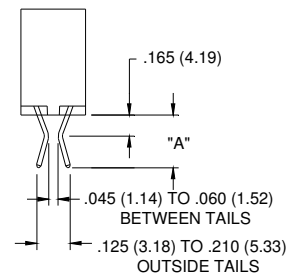
MOUNTING OPTION
CODES x58
(OFFSET CARD GUIDES)



CONTACT CODE 558



CONTACT CODE 559



CONTACT CODE 560