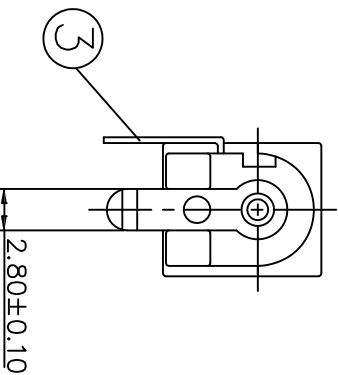
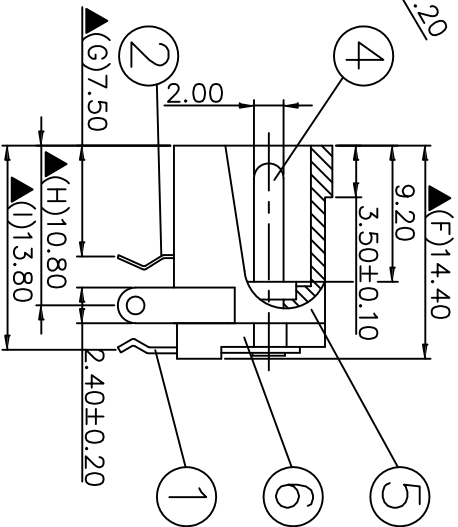
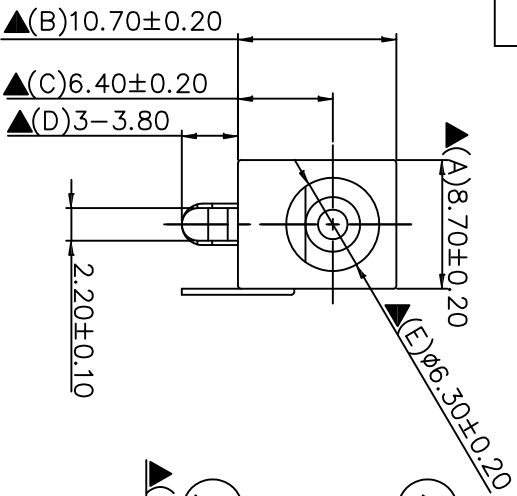
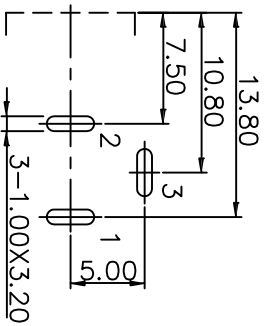


SCHEMATIC	
MODEL NO	C



NO.	Description	Material	Q'TY	Finish
6.	Cover	PBT+50% Fibre Glass	1	Black Color
5.	Housing	PBT+50% Fibre Glass	1	Black Color
4.	Pin(2.0Ø)	Copper	1	Nickel Plated
3.	Breck Terminal	0.4T Brass	1	Silver Plated
2.	Sleeve Spring	0.2T Phosphor Bronze	1	Silver Plated
1.	Pin Terminal	0.4T Brass	1	Silver Plated

Pin Hole Layout  
(Jack Bottom View)



**SPECIFICATIONS:**  
 Contact Resistance : 30mΩ max  
 Current Rating : Max 5.0A , 24V DC  
 Insulation Resistance : 100MΩ min. at DC 500V  
 Dielectric Withstand Voltage : AC 500V for one minute  
 (A - I) are important Dimensions



THIS DRAWING MAY NOT BE COPIED OR REPRODUCED IN ANY WAY, AND MAY NOT BE PASSED ON TO A THIRD PARTY WITHOUT WRITTEN PERMISSION. OWNERSHIP AND COPYRIGHT OF CONEC CORPORATION

DO NOT ALTER CAD DRAWING BY HAND

CONEC CORPORATION Brampton, Ontario		tolerance	unless otherwise specified
rev	description	date	name
a	original	Jan/10/2013	Robert

drawn	date	name	title
2005	April 27	Vincent Ke	DC POWER JACK
appd.	April 27	J. Chaudry	(OD: 2.00mm)
norm			
q-oid			

scale:	SEE SPECIFICATIONS
material:	
drawing no.:	AutoCAD 2004
part no.:	C0504R06A
	33DCJ-0202-A

DIN	A3
sheet	1/1

used for:

8 7 6 5 4 3 2 1