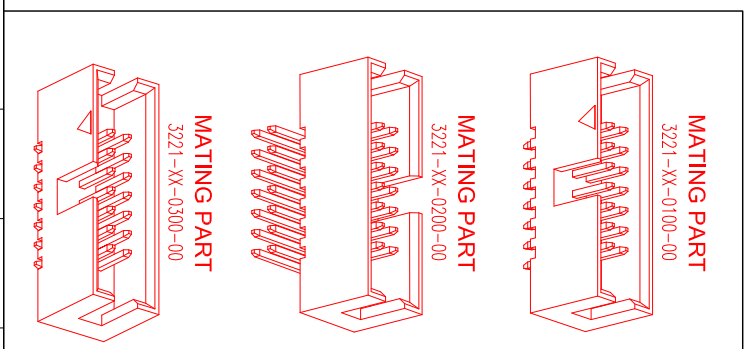
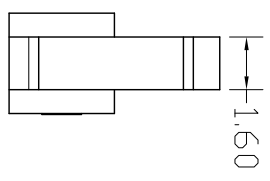
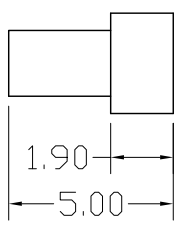
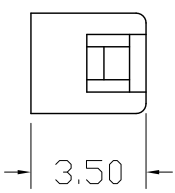
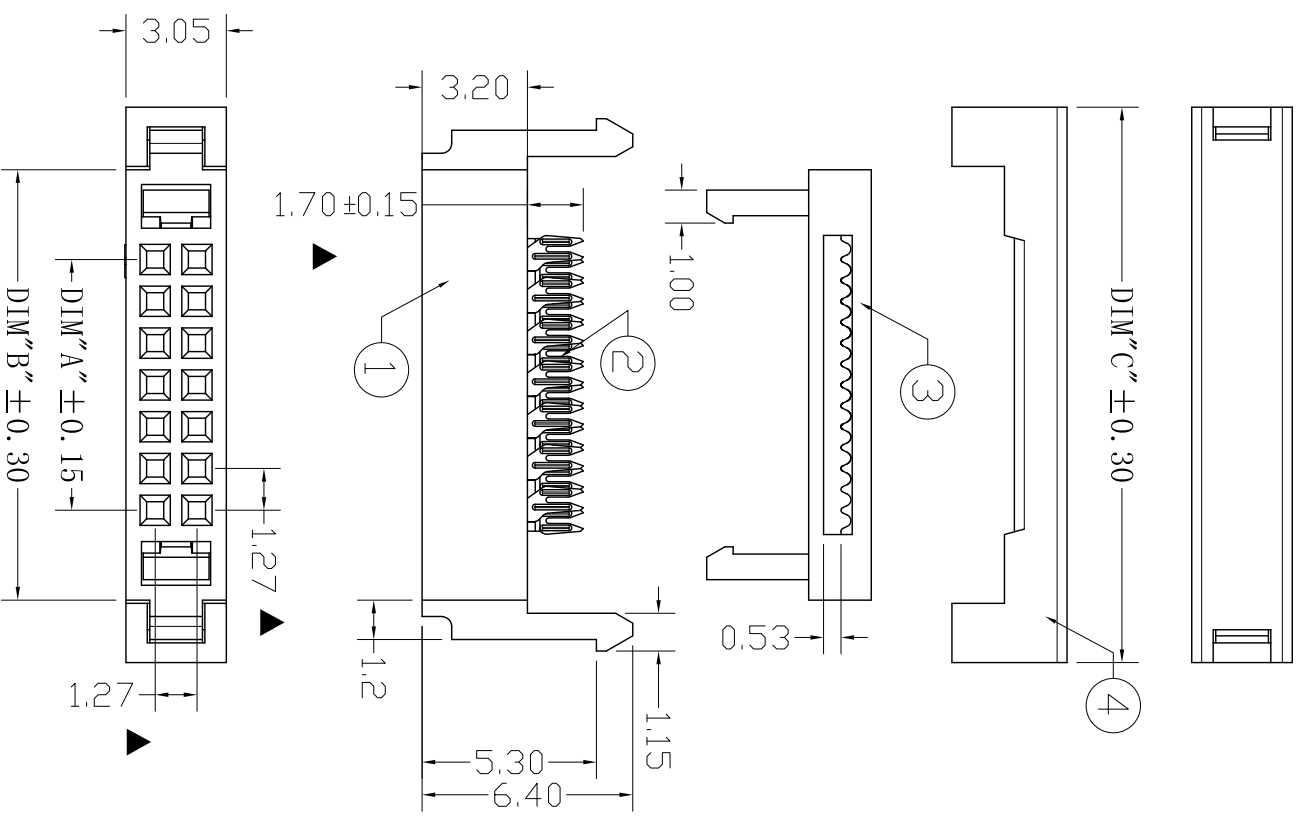


REV.	DESCRIPTION	DATE
A	RELEASE	2012.11.12

NOTES:
 Insulator Material: PBT, UL 94V-0
 Contact Plating: Flash Gold
 Contact Material: Phosphor Bronze

Current Rating : 1A AC,DC
 Contact Resistance: 20MΩ Max.
 Dielectric Withstanding: AC 500V
 Insulator Resistance: 1000MΩ Min.
 Operating Temp.: -40°C~+105°C



NUMBER OF POSITIONS	DIMENSIONS		
	A	B	C
06	2.54	8.00	11.80
08	3.81	9.27	13.07
10	5.08	10.54	14.34
12	6.35	11.81	15.61
14	7.62	13.08	16.88
16	8.89	14.35	18.15
20	11.43	16.89	20.69
24	13.97	19.43	23.23
26	15.24	20.70	24.50
30	17.78	23.24	27.04
34	20.32	25.78	29.58
40	24.13	29.59	33.39
44	26.67	32.13	35.93
50	30.48	35.94	39.74
60	36.83	42.29	46.09
64	39.37	44.83	48.63
66	40.64	46.10	49.90
68	41.91	47.37	51.17
70	43.18	48.64	52.44
74	45.72	51.18	54.98
76	46.99	52.45	56.25
80	49.53	54.99	58.79

RoHS

UNLESS TOLERANCE	
GENERAL	ANGLE
X: ±0.30	X°: ±3.0°
.X: ±0.20	.X°: ±2.0°
.XX: ±0.15	.XX°: ±1.0°
.XXX: ±0.10	.XXX°: ±0.5°

DESIGN BY	CHECK BY	APPROVE BY	SCALE	SHEET	UNIT
			1:1	1/1	MM

Cnc Tech,LLC

Port NO.: 3230-XX-0104-00

Draw NO.: REV: A