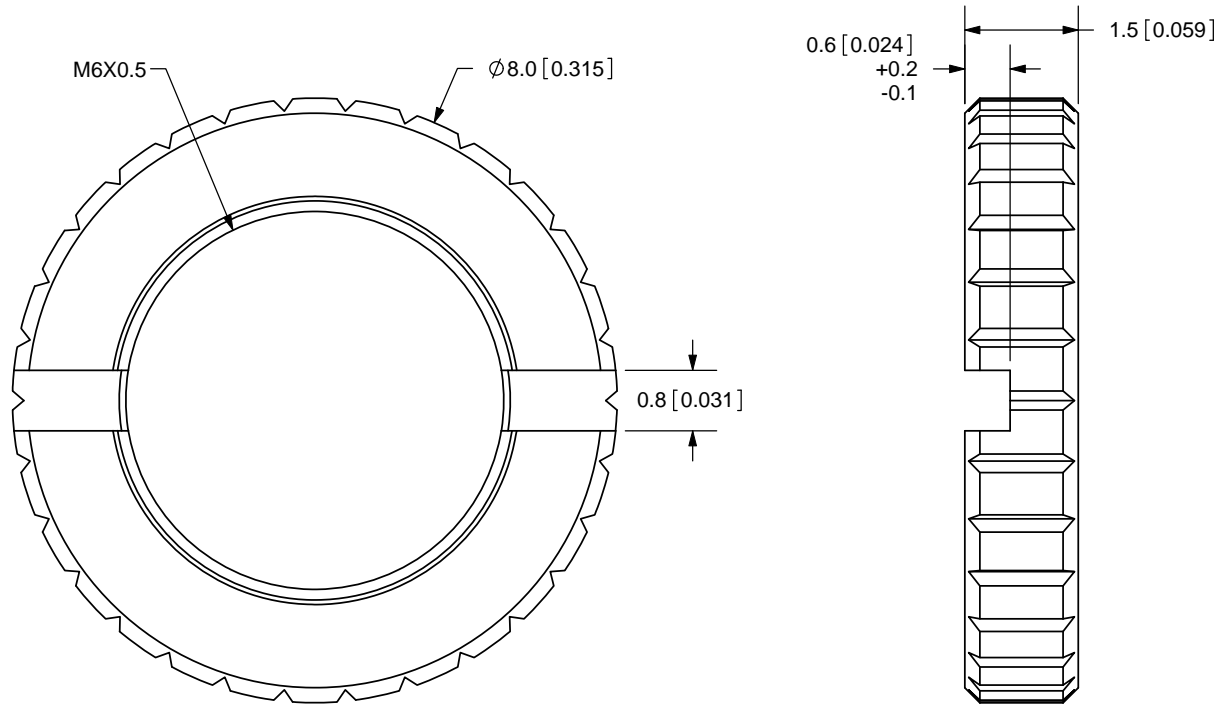


REV.	DESCRIPTION	DATE
A	NEW DRAWING	11/11/2009



TOLERANCE:  
 $\pm 0.1$ mm UNLESS OTHERWISE  
 SPECIFIED



**CUI INC**

20050 SW 112th Ave.  
 Tualatin, OR 97062  
 Phone: 503-612-2300  
 800-275-4899  
 Fax: 503-612-2383  
 Website: www.cui.com

TITLE: M6X0.5 NUT		REV: A
PART NO. 3.5mm-nut-e		UNITS: MM [INCHES]
DRAWN BY: ZRJ	APPROVED BY:	SCALE: 10:1

PC FILE NAME:  
 3.5mm-nut-e

COPYRIGHT 2009  
 BY CUI INC.

	MATERIAL	PLATING	COLOR
NUT	Brass	Nickel	Silver