

EMUG 45- 4REL/KSR-G 24/21

Order No.: 2943767



<http://eshop.phoenixcontact.de/phoenix/treeViewClick.do?UID=2943767>

Relay module, multi-channel, with 4 soldered-in miniature switching relays for DC voltage with light indicator and 1 PDT each, contact for medium to large loads, input voltage 24 V DC

Commercial data

| | |
|----------------|---------------|
| EAN | 4017918081317 |
| Pack | 5 pcs. |
| Customs tariff | 85364190 |
| Weight/Piece | 0.13748 KG |

Product notes

WEEE/RoHS-compliant since:
06/07/2007



<http://www.download.phoenixcontact.com>
Please note that the data given here has been taken from the online catalog. For comprehensive information and data, please refer to the user documentation. The General Terms and Conditions of Use apply to Internet downloads.

Technical data

Coil side

| | |
|---|-------------|
| Nominal input voltage U_N | 24 V DC |
| Input voltage range in reference to U_N | 0.8 ... 1.1 |

| | |
|--|--|
| Nominal input current at U _{IN} | 21 mA |
| Typical response time | 7 ms |
| Typical release time | 11 ms |
| Operating voltage display | Yes |
| Name of protection | Damping diode, polarity protection |
| Protective circuit/component | Damping diode, polarity protection diode |

Contact side

| | |
|---------------------------------------|------------------------|
| Contact type | Single contact, 1-PDT |
| Contact material | AgNi |
| Maximum switching voltage | 250 V AC/DC |
| Maximum inrush current | 8 A |
| Limiting continuous current | 6 A |
| Interrupting rating (ohmic load) max. | 95 W (for 24 V DC) |
| | 50 W (for 48 V DC) |
| | 45 W (for 60 V DC) |
| | 35 W (for 110 V DC) |
| | 55 W (for 220 V DC) |
| | 1500 VA (for 250 V AC) |

General data

| | |
|--|--|
| Width | 45 mm |
| Height | 79 mm |
| Depth | 60 mm |
| Test voltage relay winding/relay contact | 2.5 kV AC (50 Hz, 1 min) |
| Ambient temperature (operation) | -20 °C ... 55 °C |
| Operating mode | 100% operating factor |
| Service life mechanical | Approx. 2 x 10 ⁷ cycles |
| Standards/regulations | IEC 60664 |
| | IEC 60664 A |
| | DIN VDE 0110 |
| | DIN VDE 0109-11, draft |
| | DIN EN 50178/VDE 0160 |
| | IEC 60255/DIN VDE 0435 (in relevant parts) |
| Pollution degree | 2 |
| Surge voltage category | III |

| | |
|-----------------------|---------------------------|
| Mounting position | Any |
| Assembly instructions | In rows with zero spacing |

Connection data

| | |
|--------------------|--------------------------|
| Type of connection | Screw/plug-in connection |
|--------------------|--------------------------|

Accessories

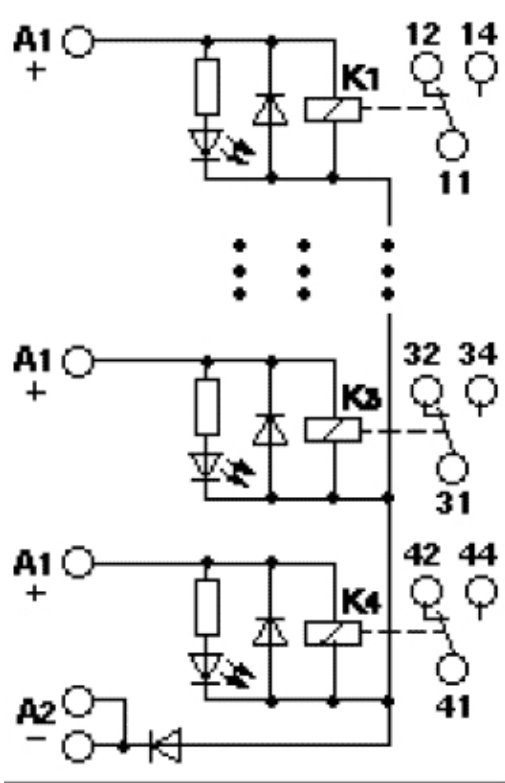
| Item | Designation | Description |
|----------------|-----------------------------|---|
| General | | |
| 1780332 | FRONT-MSTB-SET/EMUG 45-4REL | COMBICON connection plug set, with front screw connection and plug-in direction parallel to conductor axis |
| 1780248 | MSTB-SET/EMUG 45- 4REL | COMBICON connection plug set, with plug-in direction parallel to conductor axis |
| 1780277 | MSTBP-SET/EMUG 45- 4REL | COMBICON connection plug set, with plug-in direction parallel to conductor axis, with an additional test connection for a 2.0 or 2.3 mm ø test plug |
| 1780303 | MVSTBR-SET/EMUG 45- 4REL | COMBICON connection plug set, with plug-in direction vertical to conductor axis |

Marking

| | | |
|---------|------------|-------------------------------|
| 2947035 | EMG-GKS 12 | Equipment marker, width 12 mm |
|---------|------------|-------------------------------|

Diagrams/Drawings

Circuit diagram



Address

PHOENIX CONTACT Deutschland GmbH
Flachmarktstr. 8
32825 Blomberg, Germany
Phone +49 5235 3 12000
Fax +49 5235 3 41200
<http://www.phoenixcontact.de>



© 2010 Phoenix Contact
Technical modifications reserved;