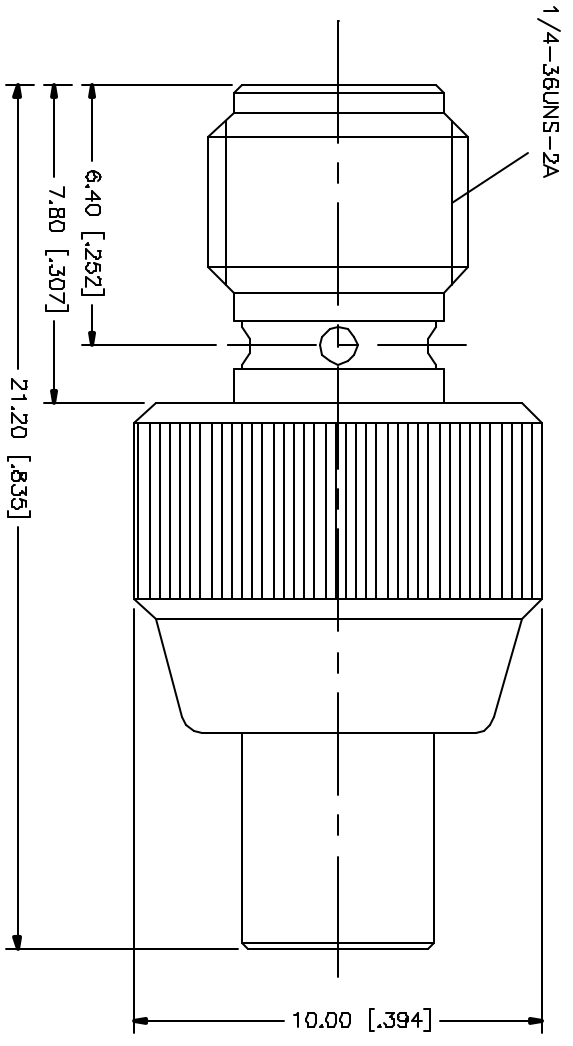


REV.	DATE	DESCRIPTION
A	03/27/05	UPDATE DRAWING FORMAT



REV.	DATE	DESCRIPTION	MATERIAL	FINISH	QTY
B					
7					
6					
5					
4					
3		CONTACT PIN	BER. COPPER	GOLD	1
2		INSULATOR	TEFLON	NATURAL	1
1		BODY	BRASS	GOLD	1
		DESCRIPTION			

<p>UNLESS OTHERWISE SPECIFIED DIMENSIONS ARE IN MILLIMETERS (DIMENSIONS IN [] ARE IN INCHES AND FOR DIMENSIONS NOTED OTHERWISE ONLY.)</p> <p>UNLESS OTHERWISE SPECIFIED TOLERANCES FOR MILLIMETERS ARE: D > 0 - 0.10mm ± 0.20mm 0.1 - 0.25mm ± 0.40mm 0.25 - 1.00mm ± 0.50mm</p> <p>UNLESS OTHERWISE SPECIFIED TOLERANCES FOR INCHES ARE: .020 - .315 = ± 0.007" .315 - 1.180 = ± 0.015" 1.180 - 4.724 = ± 0.020"</p>	
APPROVALS	DATE
DRAWN G. R. S.	03/27/05
CHECKED	
ISSUED	
SHEET 1 OF 1	

CAD FILE	DWG. NO.	REV.	SIZE	SCALE
C:/242/242129.DWG	242129.DWG	A	A	NA

<p>Amphenol Connex</p> <p>PART DESCRIPTION</p> <p>SMA FEMALE TO MCX FEMALE ADAPTER</p>	
PART NO.	242129