

4

3

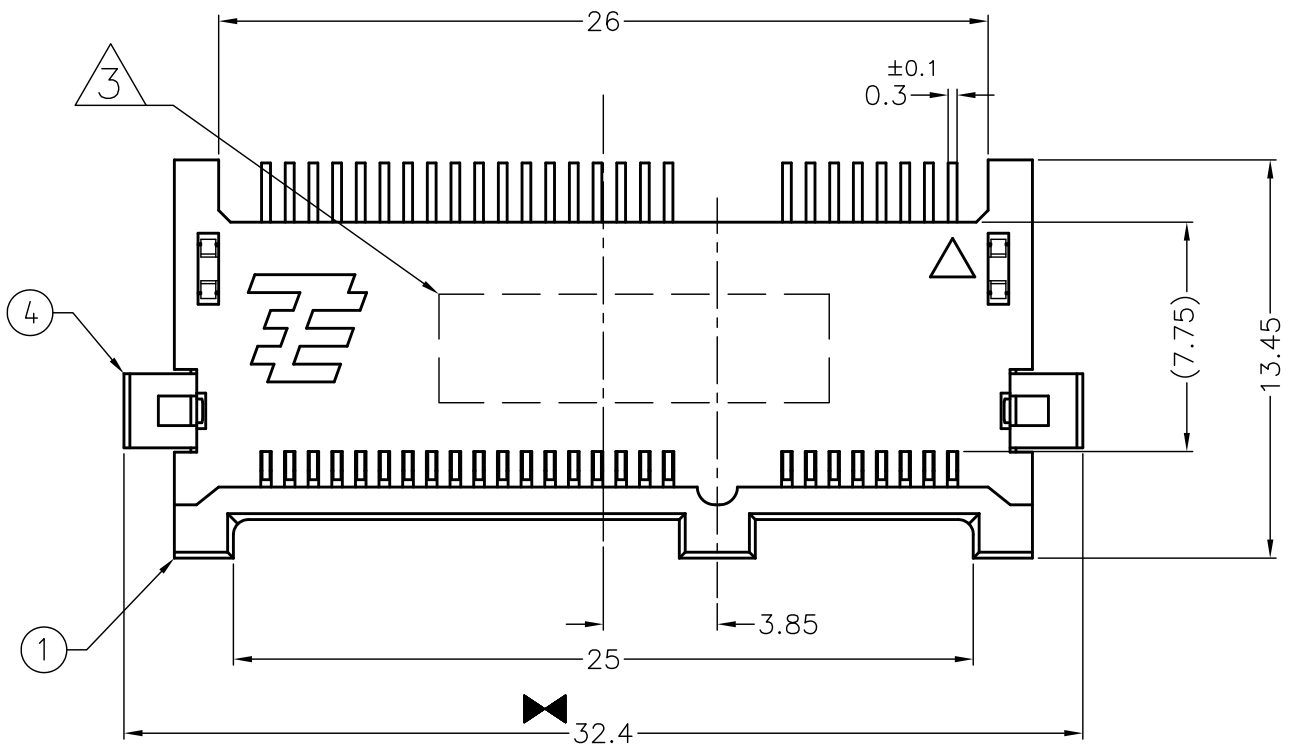
2

1

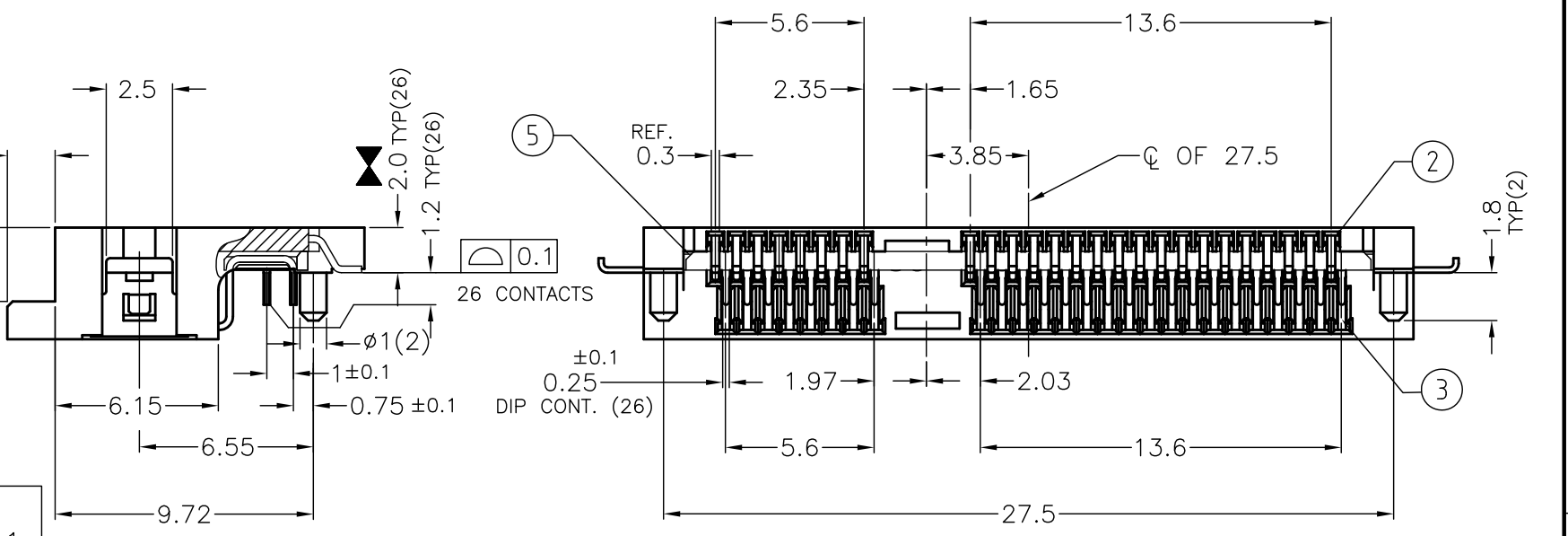
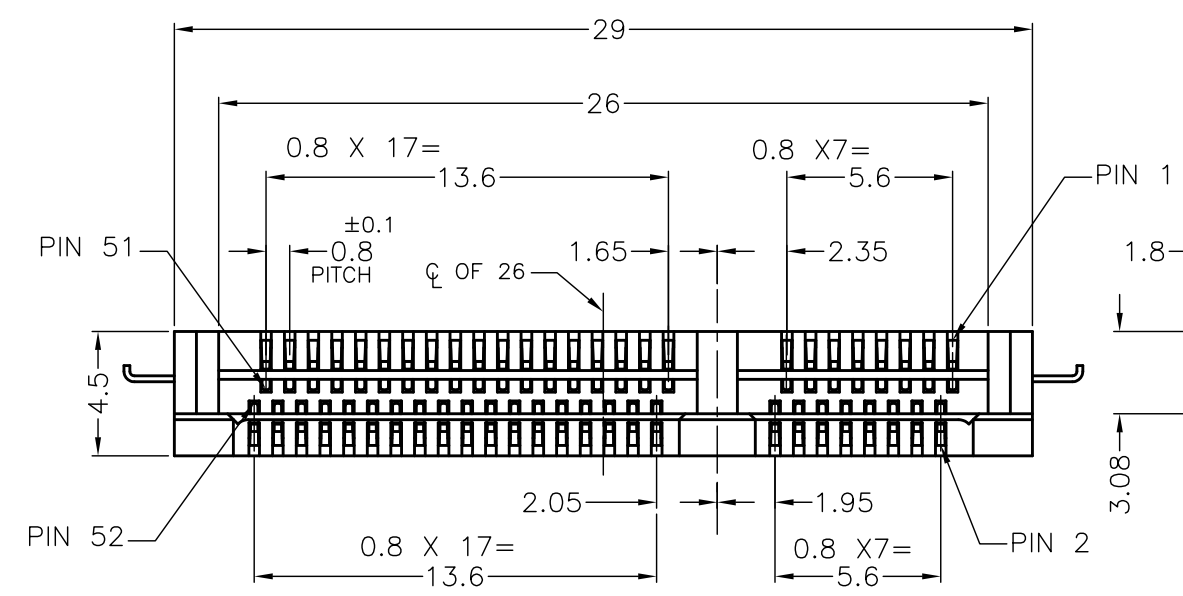
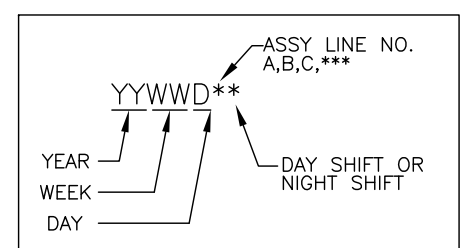
THIS DRAWING IS UNPUBLISHED. RELEASED FOR PUBLICATION
 © COPYRIGHT By - ALL RIGHTS RESERVED.

LOC DW	DIST	REVISIONS		
P	LTR	DESCRIPTION	DATE	DWN APVD
	A	RELEASED	24AUG2011	V.P. H.K.

2129318-1: AS SHOWN



- 1. MATERIAL: (SEE TABLE)
- 2. FINISH: (SEE TABLE)
- 3. DATE CODE.



⑤	TINE PLATE	HIGH TEMP THERMOPLASTICS, COLOR:BLACK, UL94 V-0	1	
④	PEG	COPPER ALLOY	2	
③	LOWER CONT	COPPER ALLOY	26	
②	UPPER CONT	COPPER ALLOY	26	
①	HOUSING	HIGH TEMP THERMOPLASTICS, COLOR:BLACK, UL94 V-0	1	
NO	DESCRIPTION	① MATERIAL	② FINISH	QTY.

THIS DRAWING IS A CONTROLLED DOCUMENT.

DWN	V.PENG	12JUL2010
CHK	H.KODAMA	12JUL2010
APVD	H.KODAMA	12JUL2010
PRODUCT SPEC	108-99028	
APPLICATION SPEC	3.8 GRAM	
WEIGHT	A3	
CUSTOMER DRAWING	SCALE	4:1
	SHEET	1 OF 3
	REV	A

STE TE Connectivity

NAME: MINICARD CONNECTOR OFFSET MOUNT TYPE

DRAWING NO: C-2129318

4

3

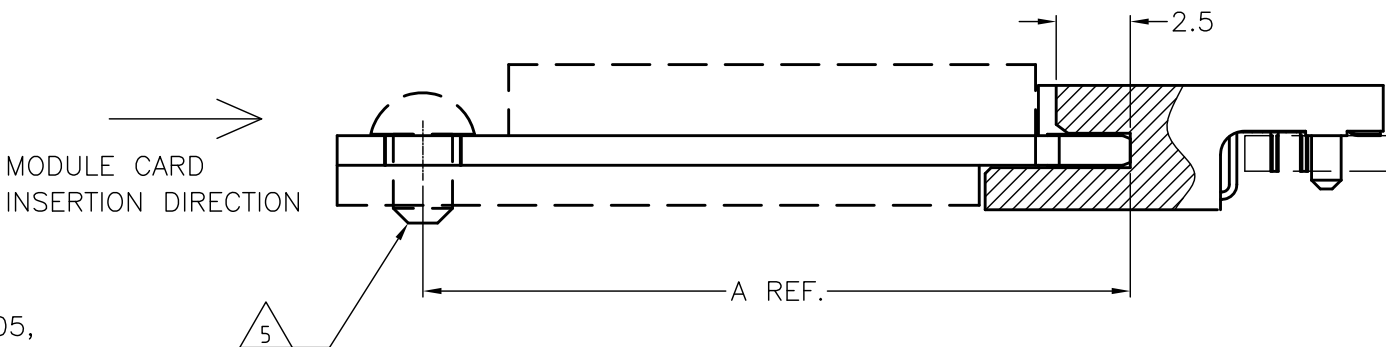
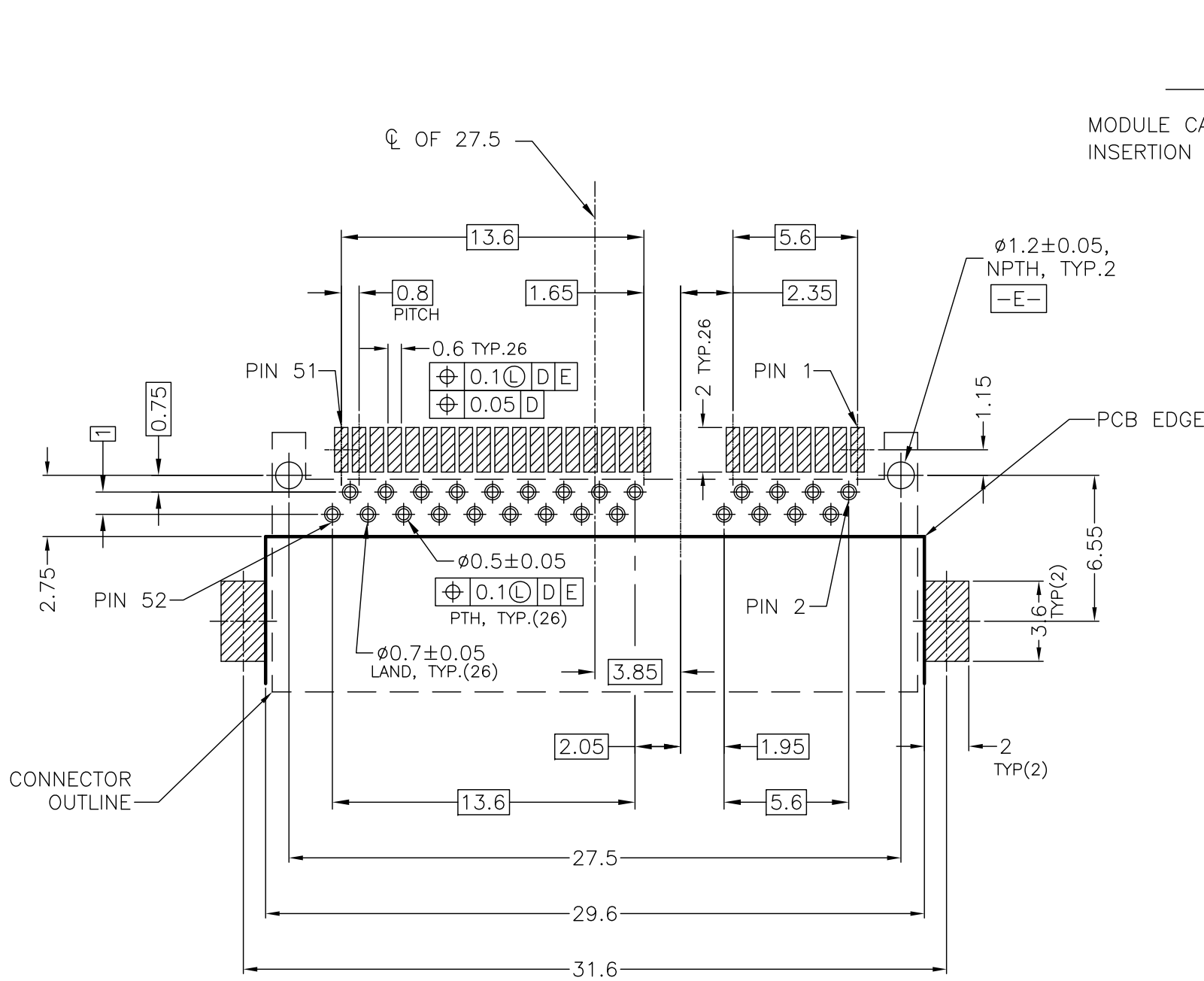
2

1

THIS DRAWING IS UNPUBLISHED. RELEASED FOR PUBLICATION
 © COPYRIGHT - By - ALL RIGHTS RESERVED.

LOC	DIST	REVISIONS			
P	LTR	DESCRIPTION	DATE	DWN	APVD
		SEE SHEET 1	-	-	-

4. \square -D- \square IS THE TOP SURFACE OF PCB.
 5. \triangle SCREWS ARE PREPARED BY CUSTOMER.



HALF MINI CARD	23.9
FULL MINI CARD	48.05
DIMENSION	A

RECOMMENDED P.C.BOARD LAYOUT
 (COMPONENT SIDE)
 TOLERANCE: ±0.05

THIS DRAWING IS A CONTROLLED DOCUMENT.		DWN		TE Connectivity	
DIMENSIONS: mm		CHK			
TOLERANCES UNLESS OTHERWISE SPECIFIED:		APVD		NAME	
0 PLC ± 0.05 1 PLC ± 0.05 2 PLC ± 0.05 3 PLC ± 0.05 4 PLC ± 0.05 ANGLES ± 1°		PRODUCT SPEC		MINICARD CONNECTOR OFFSET MOUNT TYPE	
MATERIAL		APPLICATION SPEC		SIZE	RESTRICTED TO
FINISH		WEIGHT		A3	CAGE CODE
		CUSTOMER DRAWING		00779	DRAWING NO
		SCALE 4:1		C-2129318	REV A
		SHEET 2 OF 3			

4

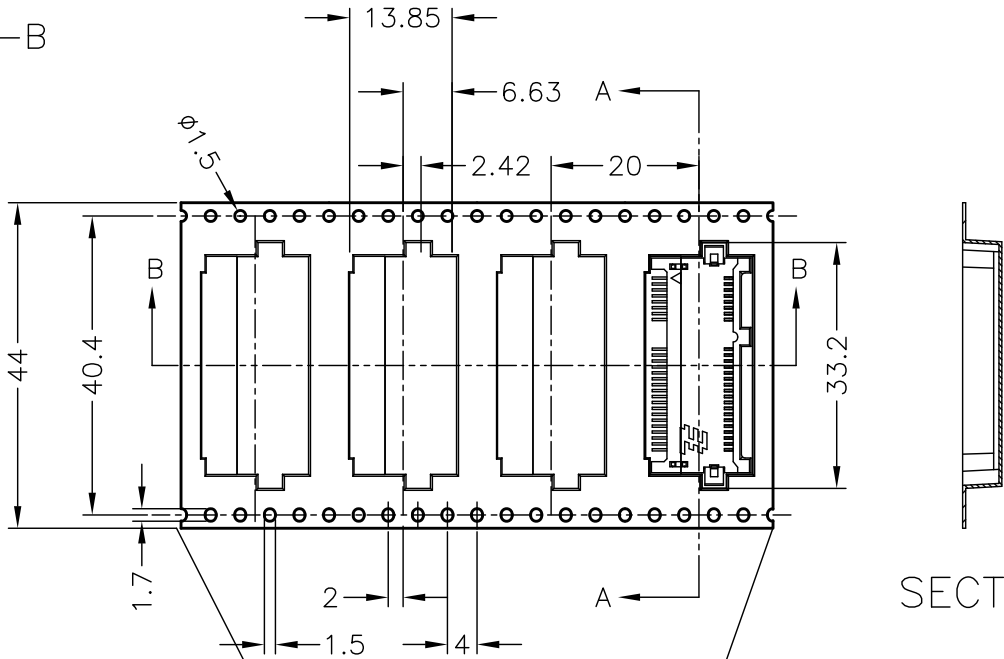
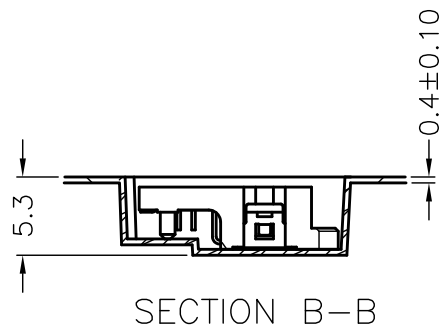
3

2

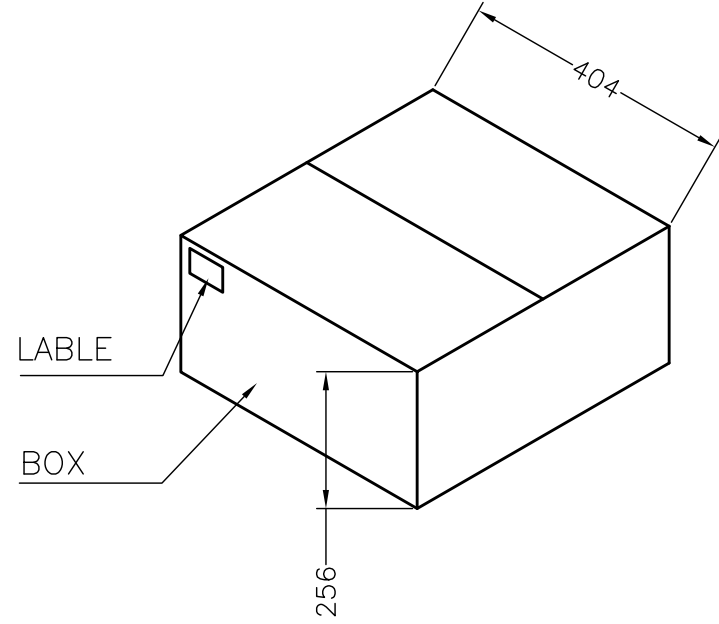
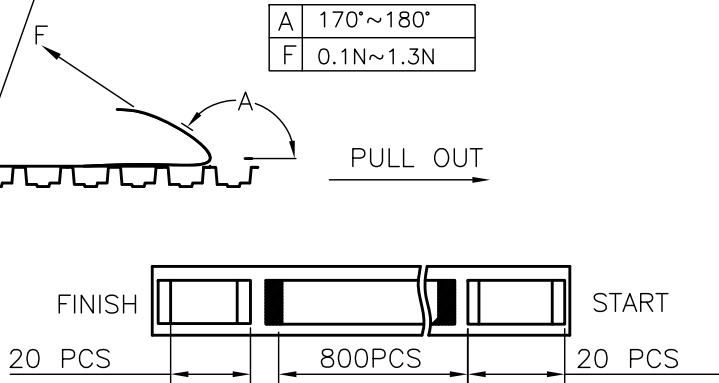
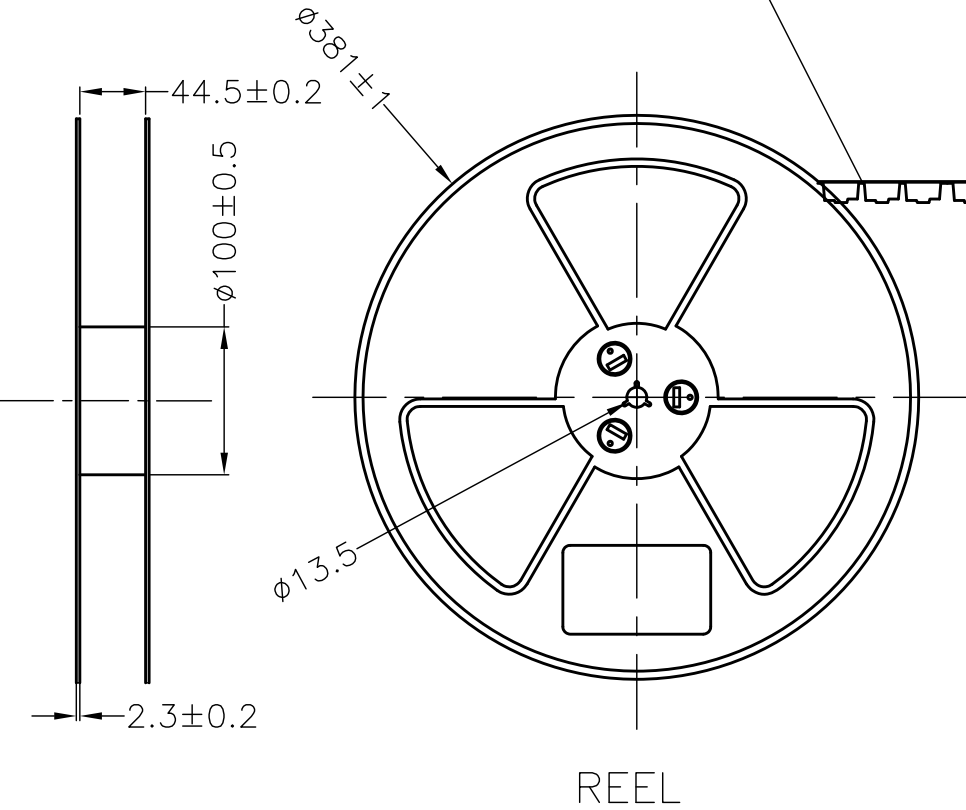
1

THIS DRAWING IS UNPUBLISHED. RELEASED FOR PUBLICATION
 © COPYRIGHT By - ALL RIGHTS RESERVED.

LOC	DIST	REVISIONS					
DW		P	LTR	DESCRIPTION	DATE	DWN	APVD
		-	-	SEE SHEET 1	-	-	-



- 6. MATERIAL :
 - 6.1 REEL: PS(RoHS) BLUE.
 - 6.2 COVER TAPE: PE
 - 6.3 SHIPPING BOX: CORRUGATED FIBER
- 7. QUANTITY :
 - 7.1 PRIMARY PACKING: 800 PCS/REEL
 - 7.2 SECONDARY PACKING: 3 REELS(2400PCS)/BOX
- 8. PEELING RESISTANCE: SEE TABLE
- 9. PEELING SPEED: 300mm/MINUTES.



THIS DRAWING IS A CONTROLLED DOCUMENT.		DWN	STE TE Connectivity	
DIMENSIONS: mm		CHK		
TOLERANCES UNLESS OTHERWISE SPECIFIED:		APVD	NAME	
0 PLC ± 0.25		PRODUCT SPEC	MINICARD CONNECTOR	
1 PLC ± 0.25		APPLICATION SPEC	OFFSET MOUNT TYPE	
2 PLC ± 0.25		WEIGHT	SIZE	CAGE CODE
3 PLC ± 0.25		CUSTOMER DRAWING	A3	-
4 PLC ± 0.25			DRAWING NO	RESTRICTED TO
ANGLES ± 3°			C-2129318	
FINISH		SCALE	SHEET	REV
MATERIAL		4:1	3 of 3	A