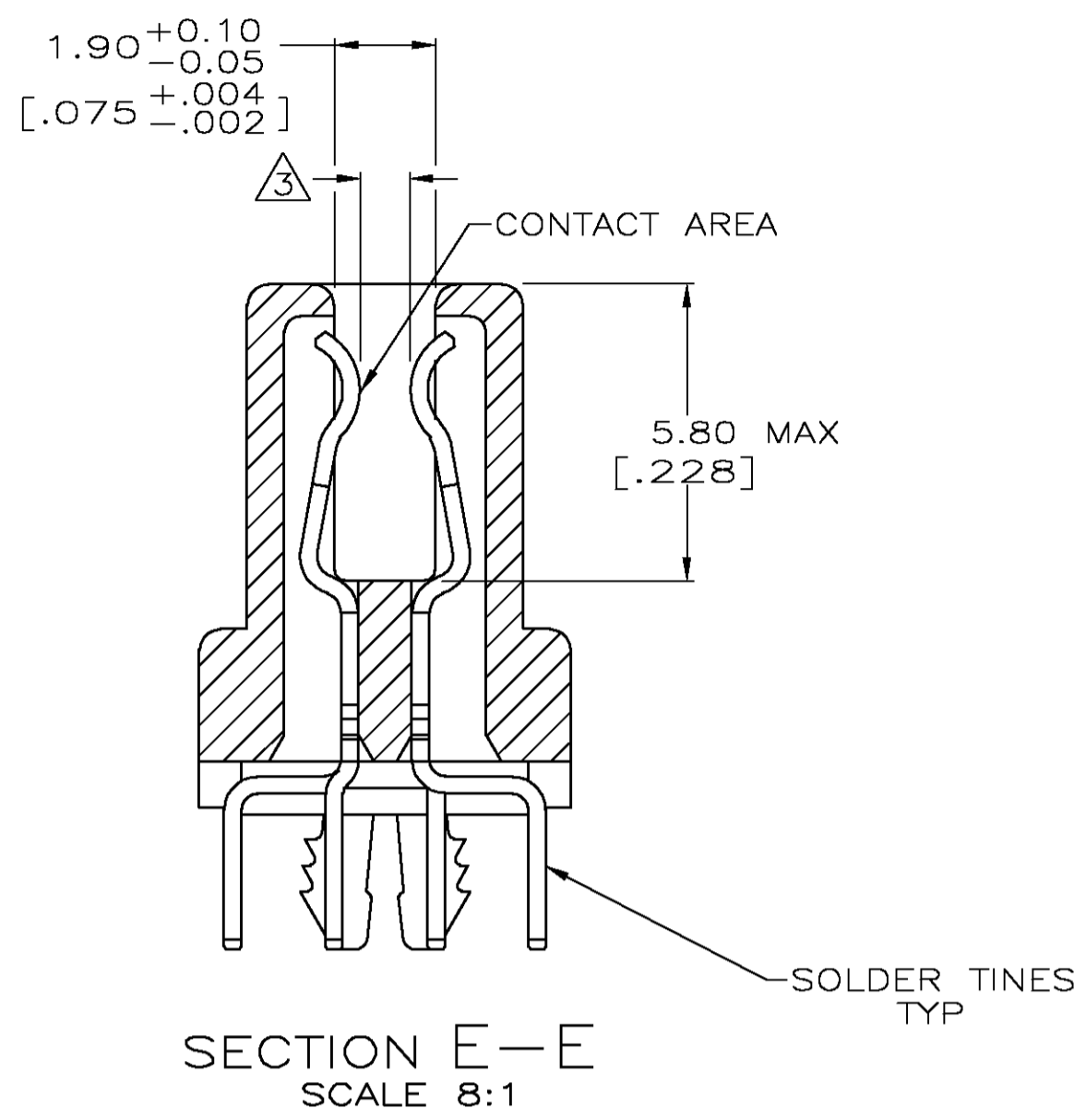
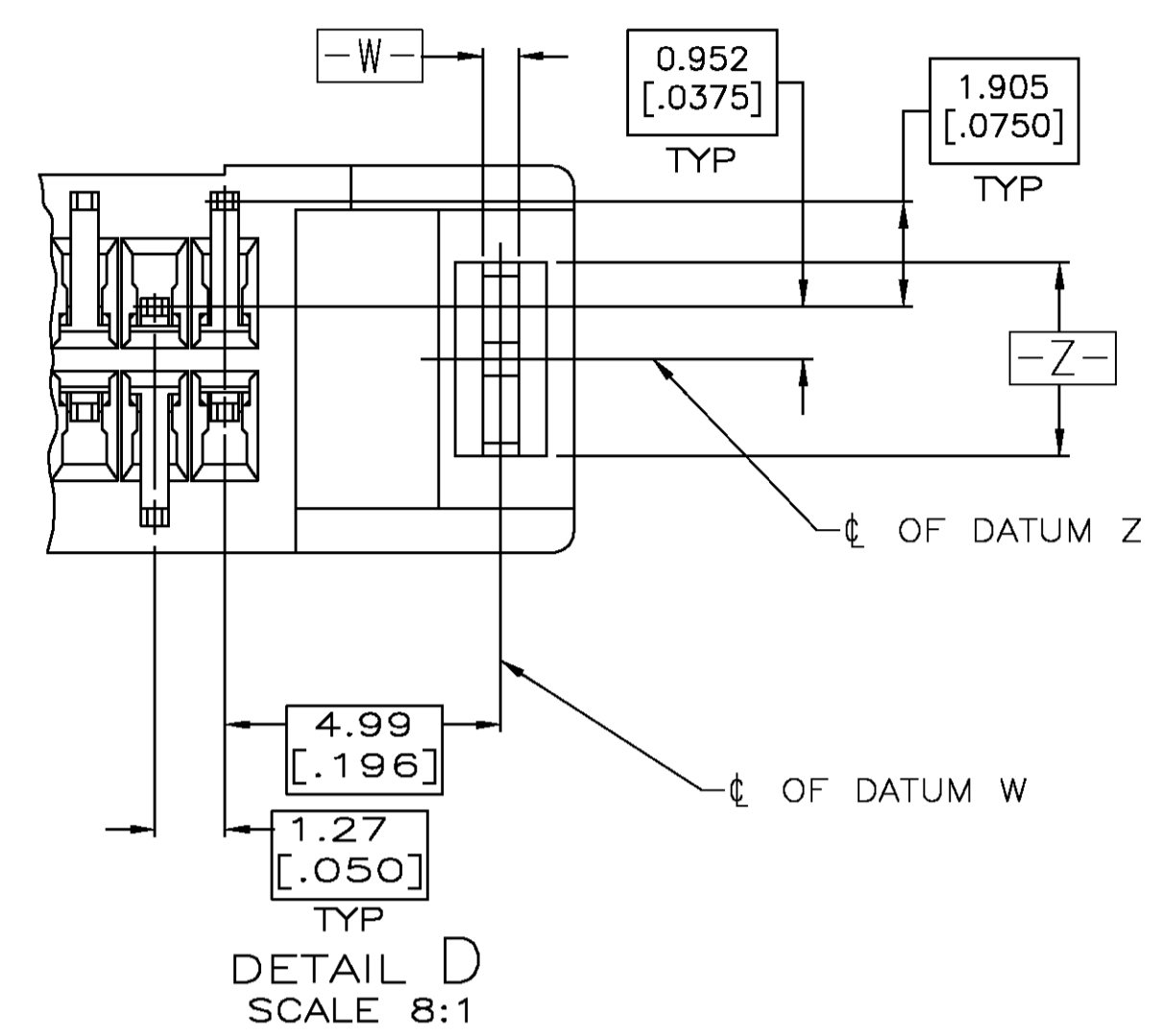
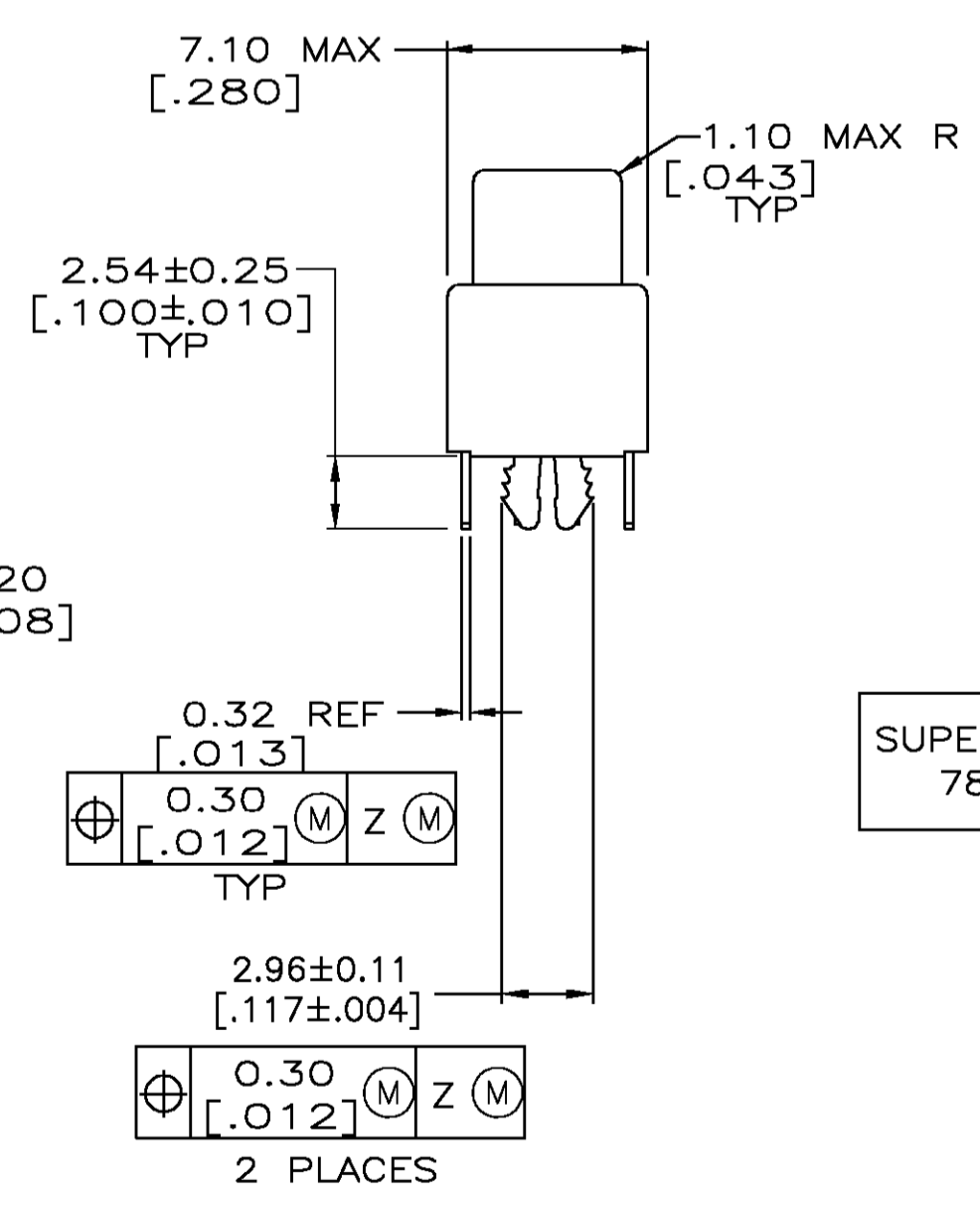
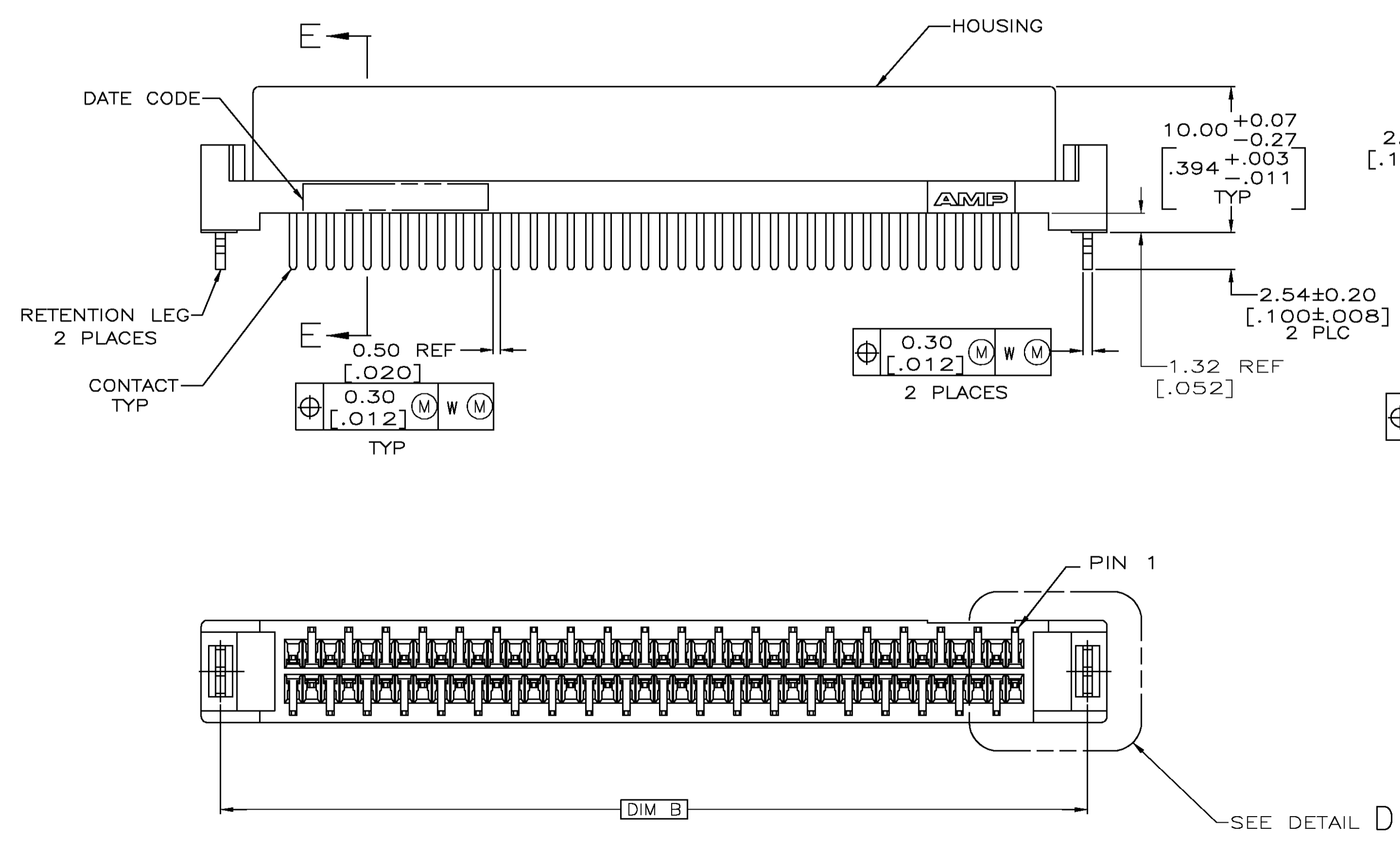
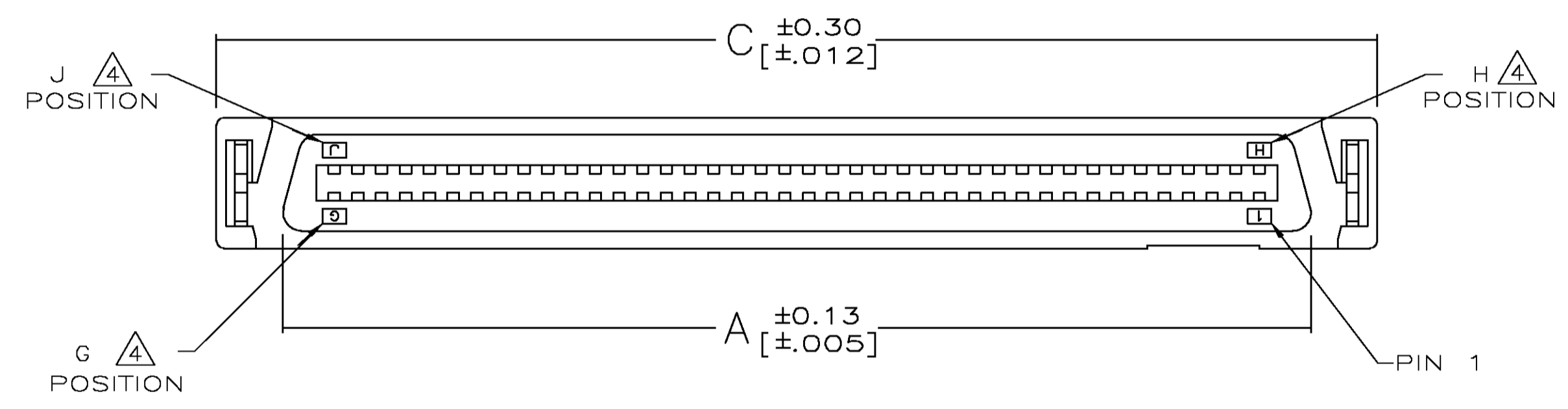


LOC		DIST		REVISIONS			
P	LNK	DESCRIPTION	DATE	BY	APPD		
J		REVISED PER EC 0513-0324-03	4MARG4	SW	JG		



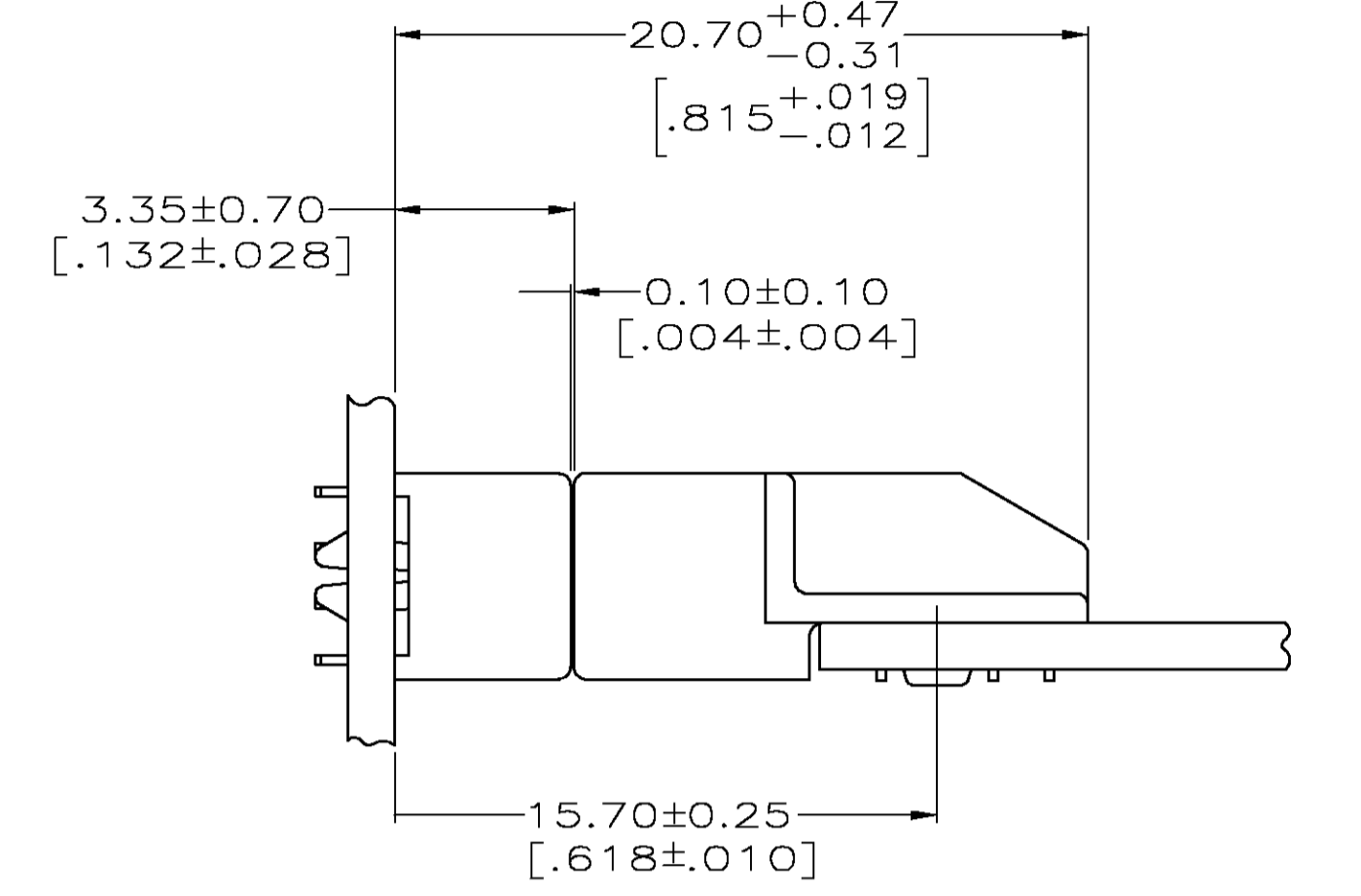
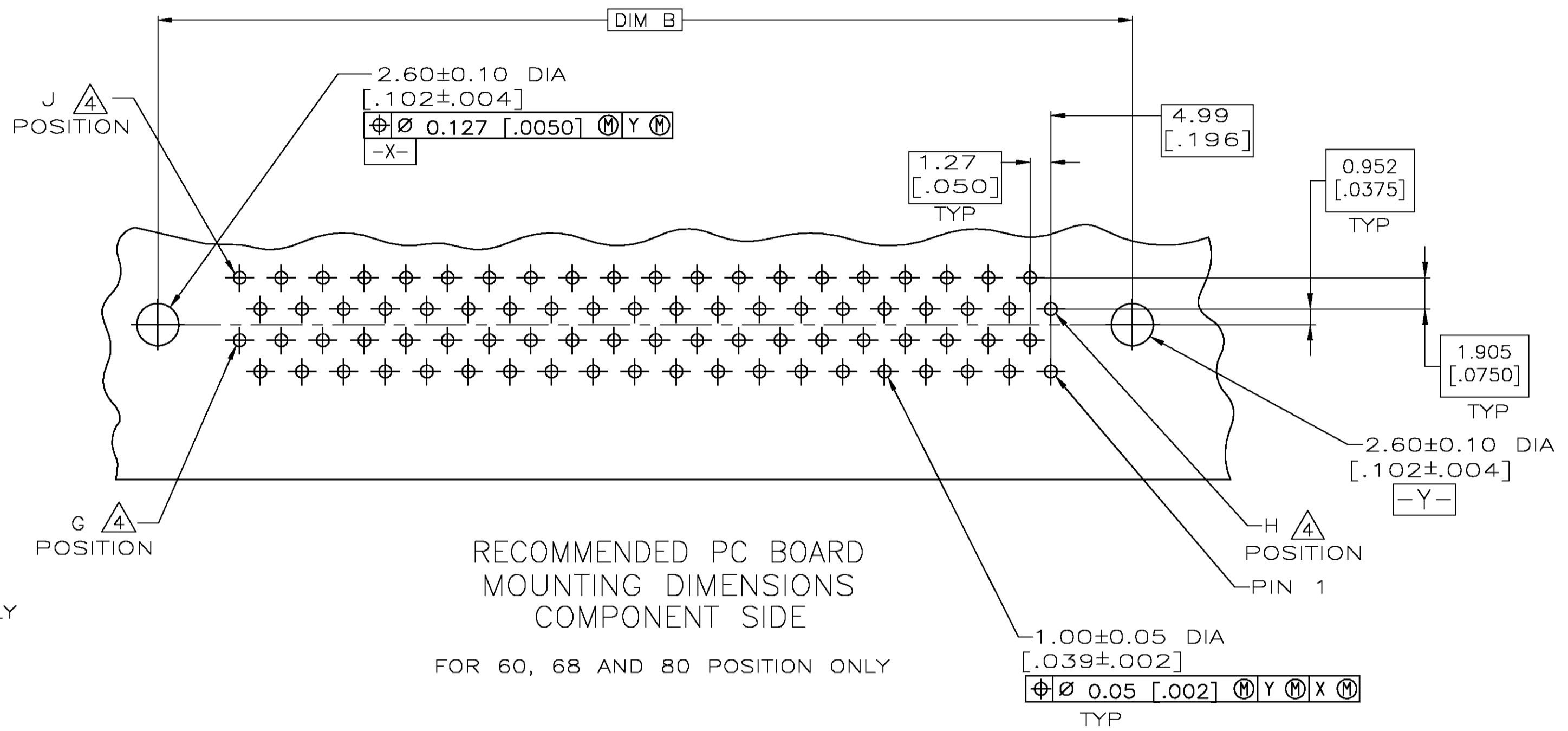
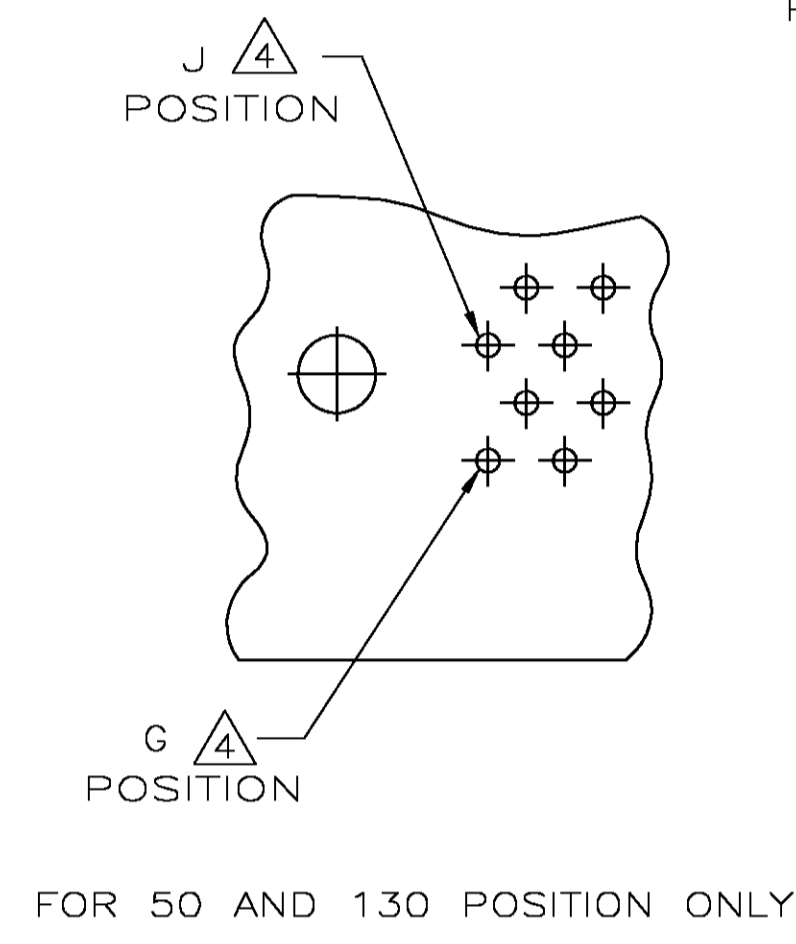
- △ HOUSING: PPA RESIN, BLACK.
CONTACTS: PHOSPHOR BRONZE.
RETENTION LEG: BRASS.
- 2. CONNECTOR WILL ACCOMMODATE PRINTED CIRCUIT BOARD THICKNESS OF 0.79 TO 1.60 [.031 TO .063].
- △ CONNECTOR WILL ACCOMMODATE MATING PRINTED CIRCUIT BOARD OF 1.60±0.08 [.063±.003] THICKNESS.
- △ SEE TABLE G, J, AND H INDICATE NUMBER OF POSITIONS MARKED ON ASSEMBLY.
- △ CONTACTS: 0.76μm [.000030] MIN GOLD FOR A LENGTH OF 1.50 [.059] MIN STARTING 0.40 [.016] MAX FROM MATING END, 3.81μm [.000150] MIN TIN-LEAD FOR A LENGTH OF 2.94 [.116] MIN FROM OPPOSITE END, BOTH OVER 1.27μm [.000050] MIN NICKEL.
- △ CONTACTS: 0.076μm [.000003] MIN GOLD OVER 0.76μm [.000030] MIN PALLADIUM NICKEL FOR A LENGTH OF 1.50 [.059] MIN STARTING 0.40 [.016] MAX FROM MATING END, 3.81μm [.000150] MIN TIN-LEAD FOR A LENGTH OF 2.94 [.116] MIN FROM OPPOSITE END, ALL OVER 1.27μm [.000050] MIN NICKEL.
- △ RETENTION LEG: 3.81μm [.000150] MIN TIN-LEAD OVER 1.27μm [.000050] MIN NICKEL.



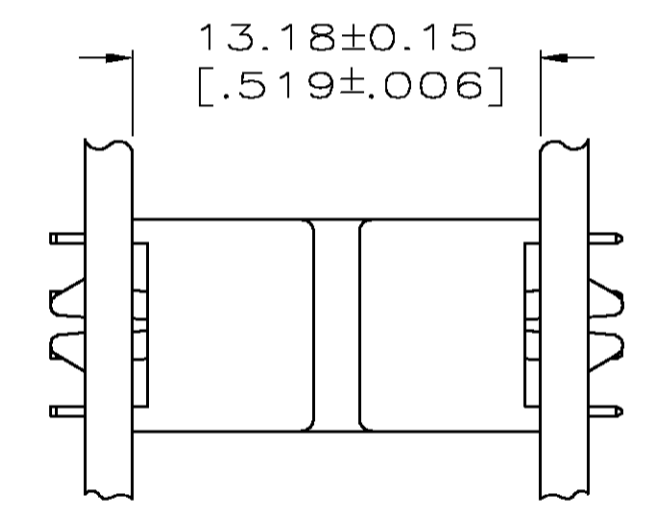
SUPERSEDED BY 786925-9	50	26	25	43.10 [1.697]	40.46 [1.593]	36.02 [1.418]	△△	50	6-786925-9
	130	66	65	93.90 [3.697]	91.26 [3.593]	86.82 [3.418]	△△	130	3-786925-3
	80	41		62.22 [2.450]	59.51 [2.343]	55.07 [2.168]	△△	80	2-786925-1
	68	35		54.57 [2.148]	51.89 [2.043]	47.45 [1.868]	△△	68	1-786925-7
	60	31	30	49.45 [1.947]	46.81 [1.843]	42.37 [1.668]	△△	60	1-786925-3
SUPERSEDED BY 1-557103-3	50	26	25	43.10 [1.697]	40.46 [1.593]	36.02 [1.418]	△△	50	786925-9
	J	H	G	C	B	A	FINISH	POSITION	PART NO

THIS DRAWING IS A CONTROLLED DOCUMENT.

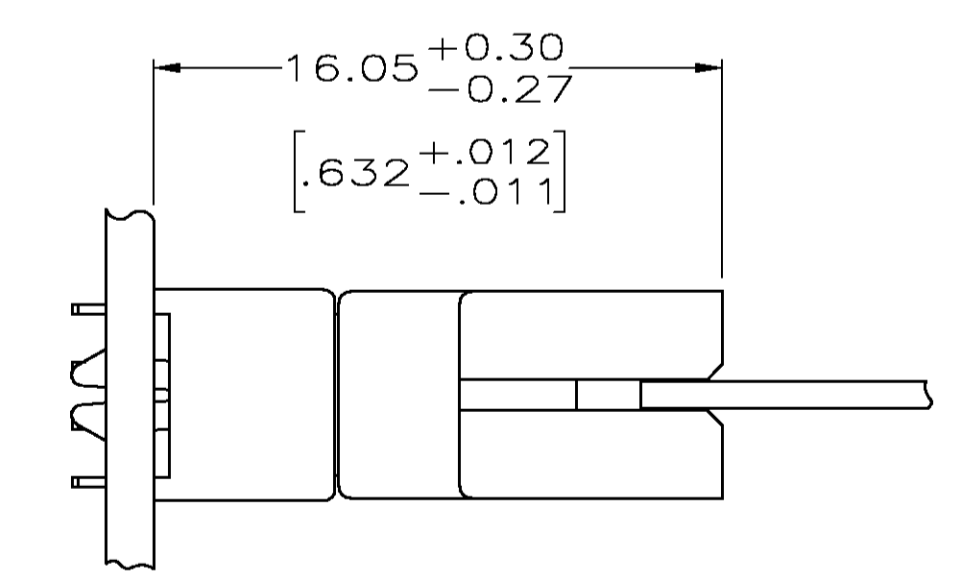
DIMENSIONS: mm 	TOLERANCES UNLESS OTHERWISE SPECIFIED: 0 PLC ± - 1 PLC ± - 2 PLC ± - 3 PLC ± - 4 PLC ± - ANGLES ± - FINISH SEE TABLE	DWG S. WAITMAN CHK S. SHUEY APD M. WALMSLEY PRODUCT SPEC 108-1367 APPLICATION SPEC 114-6045 WEIGHT - CUSTOMER DRAWING	4MARG4 4MARG4 4MARG4 NAME Tyco Electronics Corporation Harrisburg, Pa 17105-3608 RECEPTACLE ASSEMBLY, VERTICAL BOARD TO BOARD, .050 SERIES I, CHAMP™ SIZE A1 CAGE CODE 00779 DRAWING NO 786925 SCALE 4:1 SHEET 1 OF 2 REV J
-----------------------	---	---	---



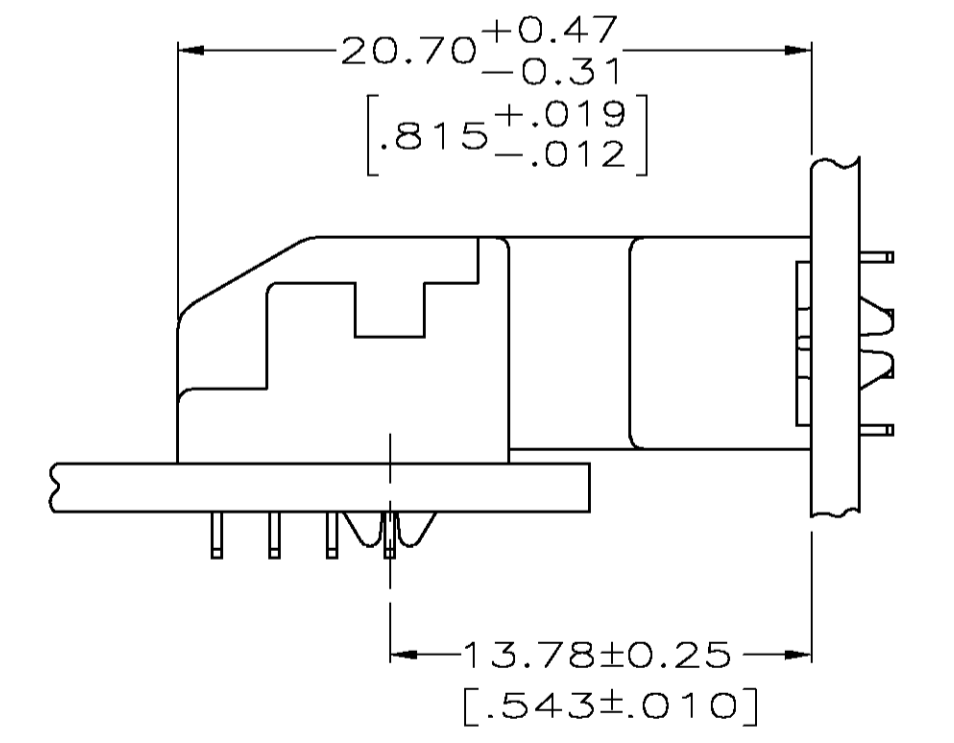
RIGHT ANGLE PLUG ASSEMBLY MATED TO VERTICAL RECEPTACLE ASSEMBLY



VERTICAL RECEPTACLE ASSEMBLY MATED TO VERTICAL PLUG ASSEMBLY



VERTICAL RECEPTACLE ASSEMBLY MATED TO VERTICAL PLUG STRADDLE ASSEMBLY



VERTICAL RECEPTACLE ASSEMBLY MATED TO RIGHT ANGLE PLUG ASSEMBLY

THIS DRAWING IS A CONTROLLED DOCUMENT.		DN S. WAITMAN 4MAR04	4MAR04	 Tyco Electronics Corporation Harriaburg, Pa 17105-3608		
DIMENSIONS: mm [INCHES]		CHK S. SHUEY 4MAR04	4MAR04			
TOLERANCES UNLESS OTHERWISE SPECIFIED:		APVD M. WALMSLEY	4MAR04	NAME RECEPTACLE ASSEMBLY, VERTICAL BOARD TO BOARD, .050 SERIES I, CHAMP™		
0 PLG ± ±	1 PLG ± ±	APPLICATION SPEC	SIZE	CAGE CODE	DRAWING NO	RESTRICTED TO
2 PLG ± ±	3 PLG ± ±	WEIGHT	A1	00779	786925	-
4 PLG ± ±	ANGLES ± ±	CUSTOMER DRAWING	SCALE	4:1	SHEET	2 OF 2
MATERIAL	FINISH					REV
						J