

## HC-M-KV-M32(14-21)


Order No.: 1690587

The illustration shows version HC-M-KV-M20

<http://eshop.phoenixcontact.de/phoenix/treeViewClick.do?UID=1690587>

Metal screw connection up to 5 bar, thread length: 8 mm, cable diameter: 14 - 21 mm, WAF 34, screw connection: M32

### Commercial data

GTIN (EAN)	
sales group	D290
Pack	10 pcs.
Customs tariff	74199990
Catalog page information	Page 521 (PC-2009)

### Product notes

WEEE/RoHS-compliant since:  
06/27/2006



<http://www.download.phoenixcontact.com>  
Please note that the data given here has been taken from the online catalog. For comprehensive information and data, please refer to the user documentation. The General Terms and Conditions of Use apply to Internet downloads.

### Technical data

#### General data

Cable gland material	Nickel-plated brass
Seal material	Neoprene
Cable seal material	Neoprene
Material, O-ring	NBR
Wrench size, union nut	34 mm

Wrench size, support	34 mm
Thread type connection side 1	M32
Length of the connecting thread	8.00 mm
External cable diameter	14 mm ... 21 mm
Conductor sealing range	14.00 mm ... 21.00 mm
Tightening torque, union nut	15.00 Nm
Degree of protection	IP68, to 5 bar
Ambient temperature (operation)	-20 °C ... 100 °C

### Certificates / Approvals

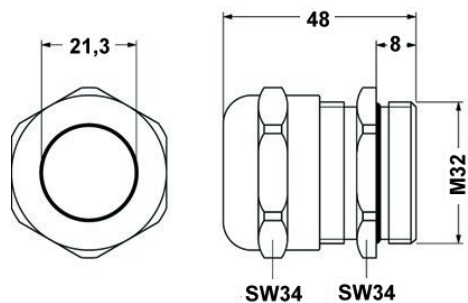


Certification

GOST

### Diagrams/Drawings

Dimensioned drawing



**Address**

PHOENIX CONTACT Deutschland GmbH  
Flachmarktstr. 8  
32825 Blomberg, Germany  
Phone +49 5235 3 12000  
Fax +49 5235 3 41200  
<http://www.phoenixcontact.de>



© 2010 Phoenix Contact  
Technical modifications reserved;