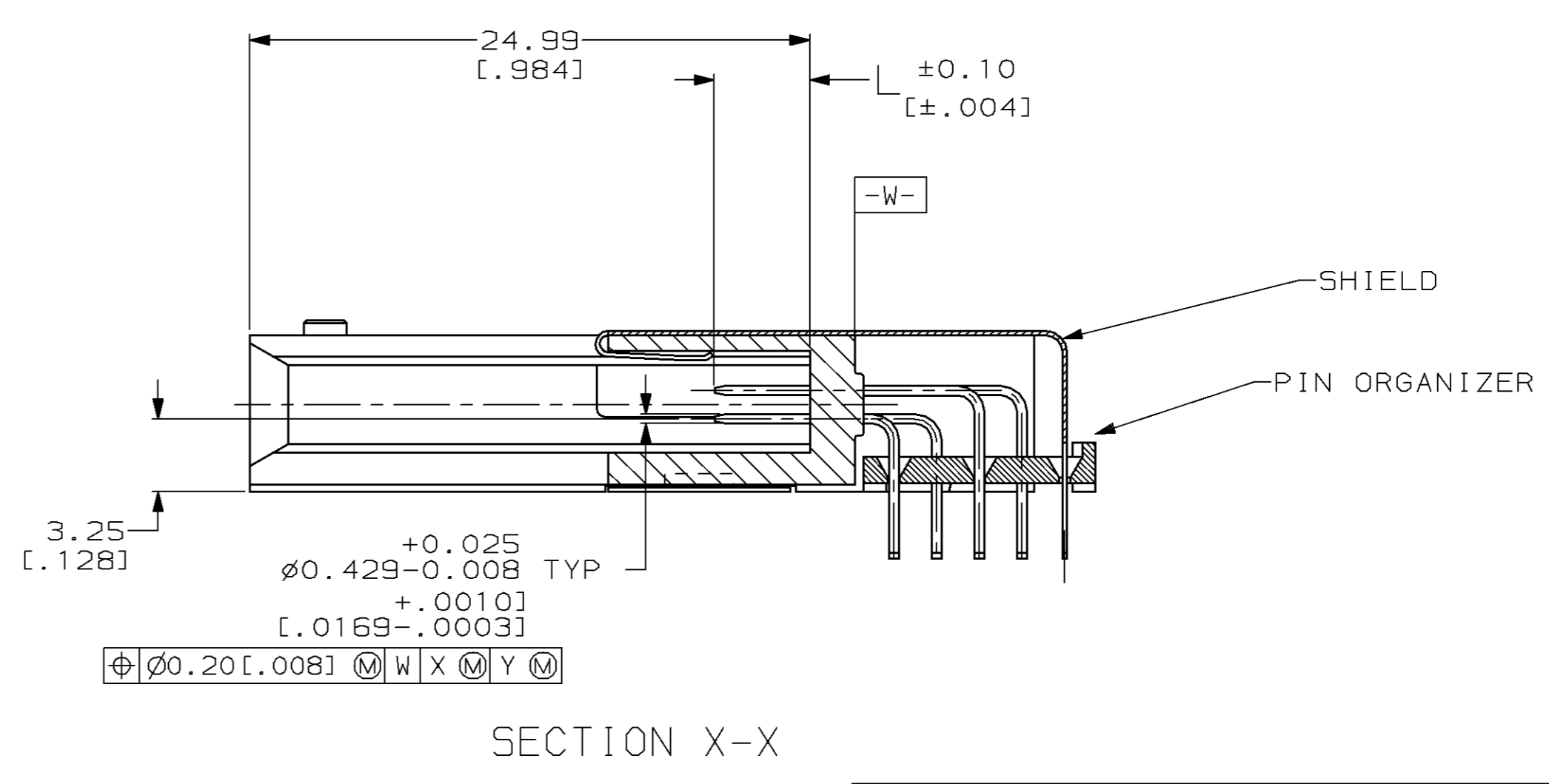
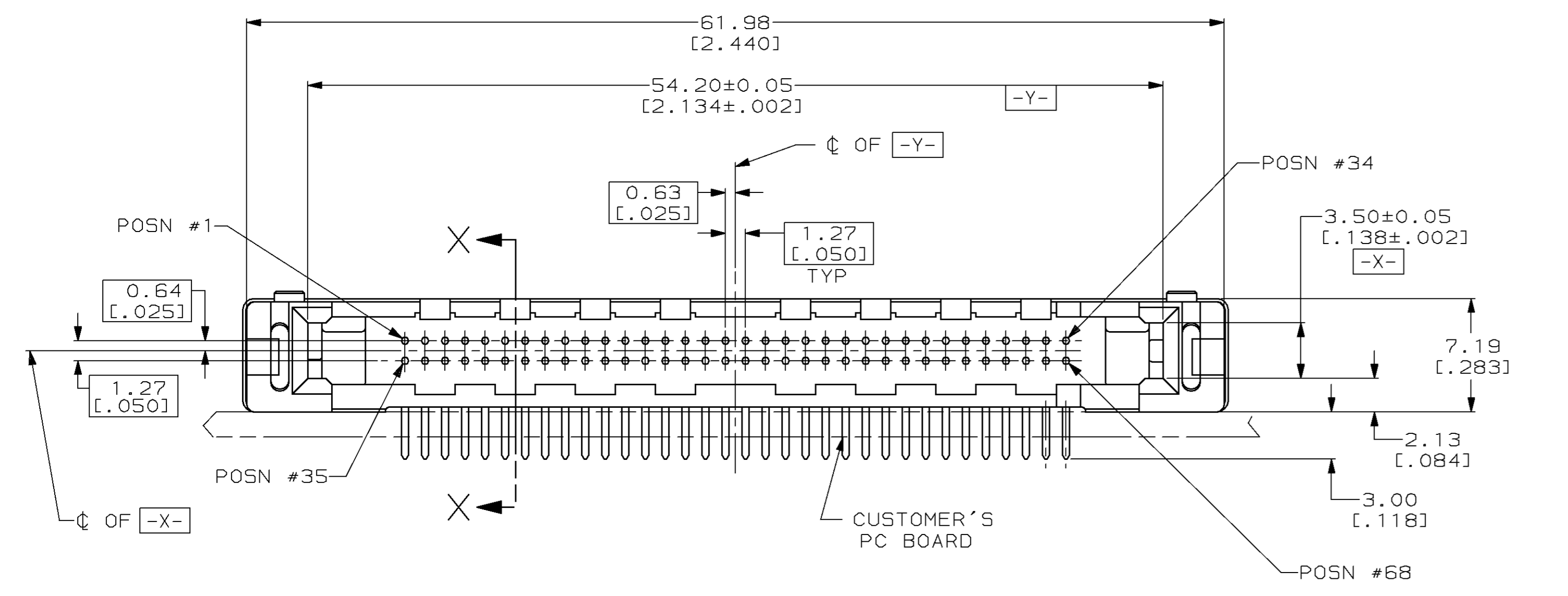
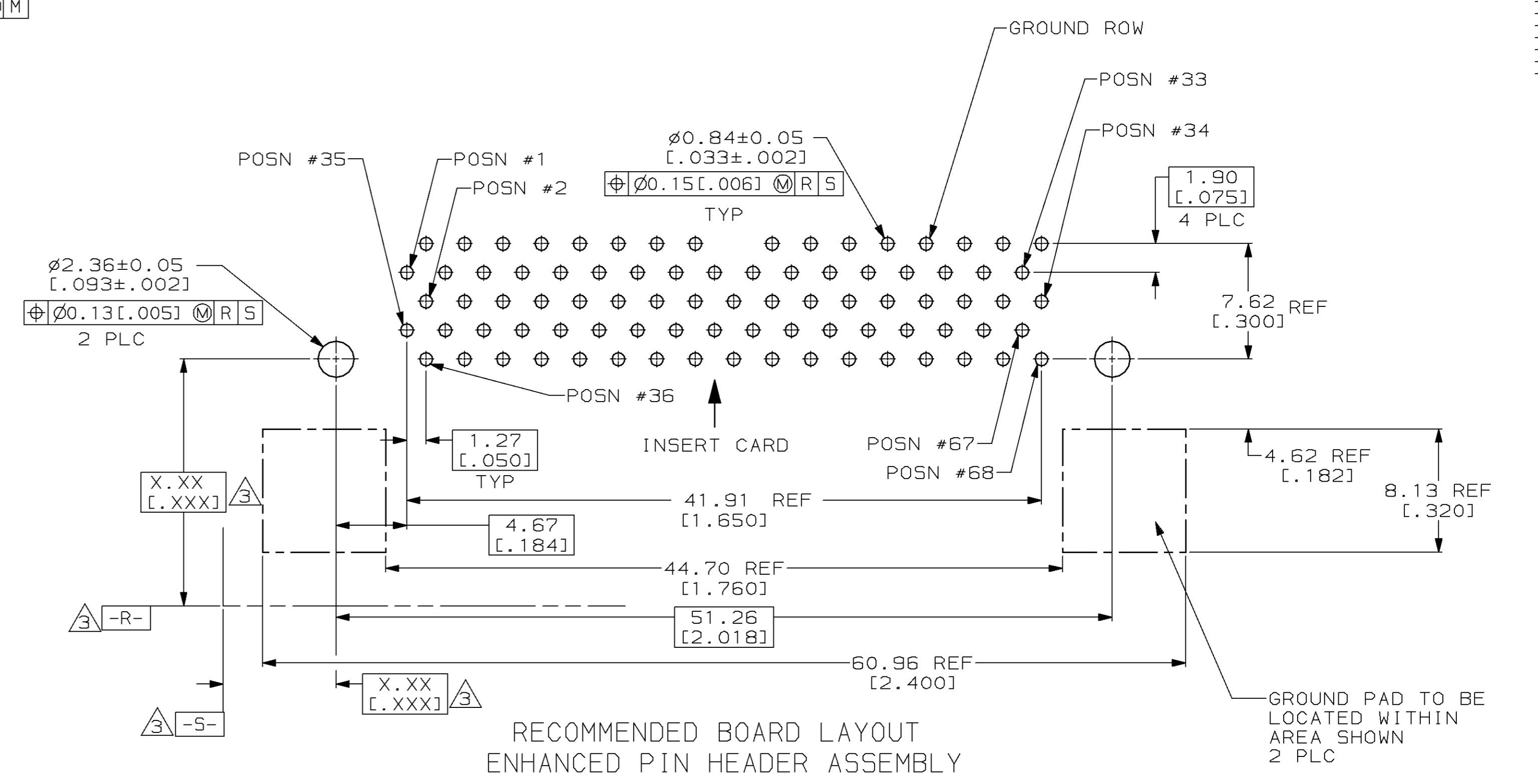
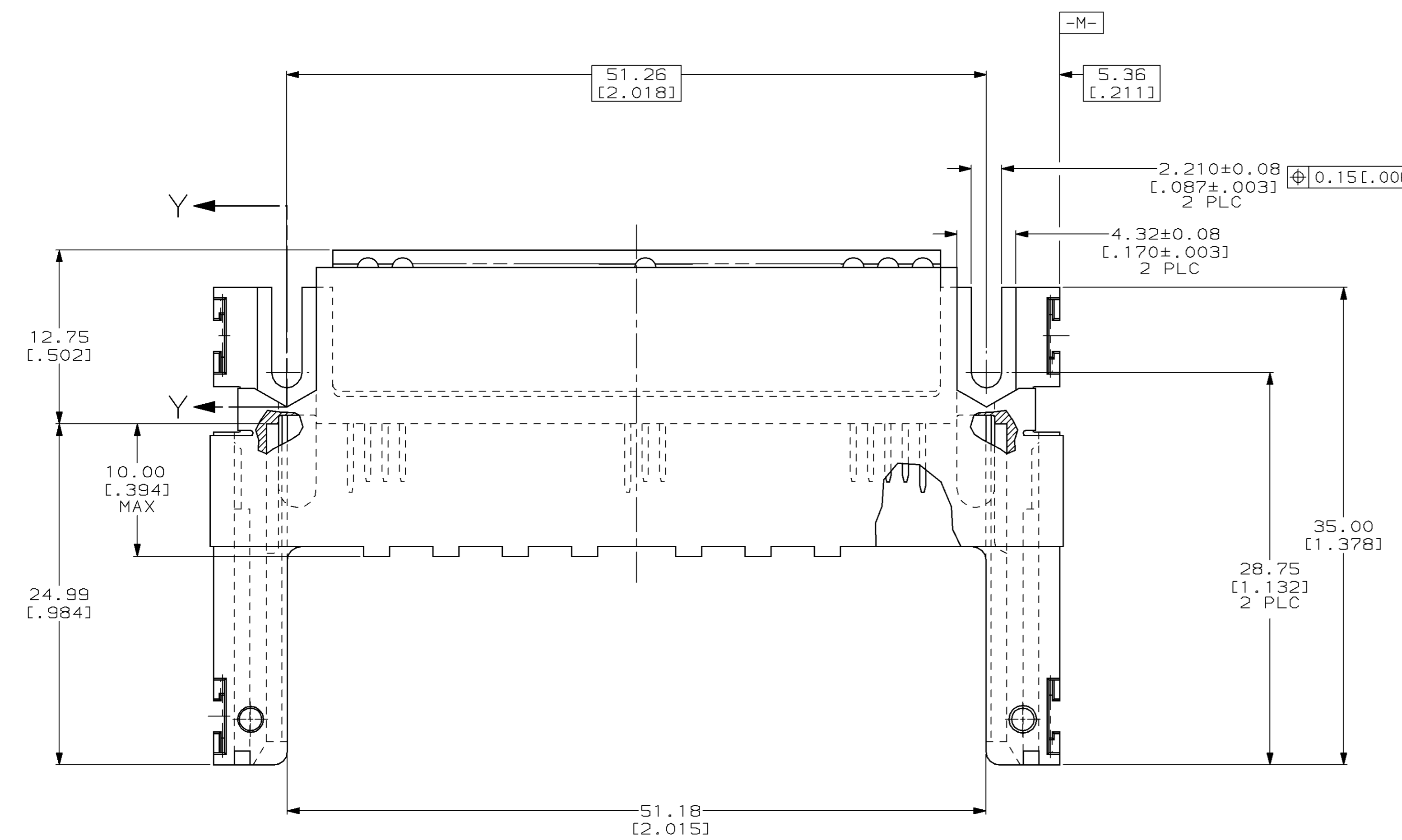
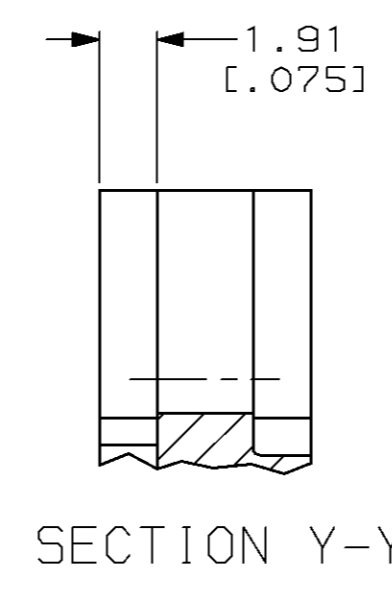


LOC		DIST		REV		REVISIONS		
AD	39	P	F	ZONE	LTR	DESCRIPTION	DATE	APPD
						0 RELEASED; WAS 94-1129-18	4/6/95	VR
						A REV PER 0010-1018-95	8/3/95	VR



- 1 0.00076 [0.00030] MINIMUM GOLD IN CONTACT AREA, 0.00381 [0.00150] MIN TIN-LEAD ON SOLDER TAILS, ALL OVER 0.00127 [0.00050] MINIMUM NICKEL
- 2 CUSTOMER TO PROVIDE CARD GUIDANCE SYSTEM
- 3 DATUMS AND BASIC DIMENSIONS ESTABLISHED BY CUSTOMER
- 4 CONNECTOR REQUIRES USE OF 2 SIZE 2M SCREWS FOR FASTENING TO PRINTED CIRCUIT BOARD
- 5 ASSEMBLY KEYED FOR LOW VOLT CARDS (3.3V).



THIS DRAWING IS A CONTROLLED DOCUMENT FOR AMP INCORPORATED. IT IS SUBJECT TO CHANGE AND THE CONTROLLING ENGINEERING ORGANIZATION SHOULD BE CONTACTED FOR THE LATEST REVISION.

VOLTAGE KEYING & IDENTIFICATION	1, 17, 34	ALL OTHER PINS	36, 67	146321-1
		5.0 [0.197]	4.25 [0.167]	3.5 [0.138]
"L" (PIN LENGTH) AND LOCATION				PART NO
DO NOT SCALE PRINT. UNLESS SPECIFIED DIMENSIONS IN mm [INCHES] TOLERANCES ON: 2 PLC DEC ±0.13 [0.005] 3 PLC DEC ± - ANGLES ± 2°				
DR 4/6/95 DARRELL WERTZ CHK 4/6/95 VINCE RUMINSKI APPD 4/6/95 VINCE RUMINSKI		AMP Incorporated Harrisburg, PA 17105-3608		
MATERIAL HOUSING & ORGANIZER: LCP, COLOR; BLACK PIN: BRASS SHIELD: PHOSPHOR BRONZE FINISH		NAME PIN HEADER ASSEMBLY, 68 POSN, TOP BOARD MTG, THRU-HOLE, AMP ENHANCED MEMORY CARD		
CONTACT & SHIELD: 1		SIZE D CAGE CODE 00779 DRAWING NO C-146321		
WEIGHT -		SCALE 4:1 SHEET 1 OF 1		