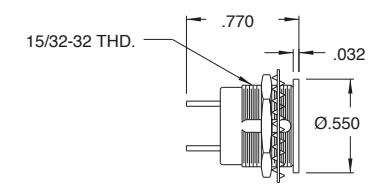
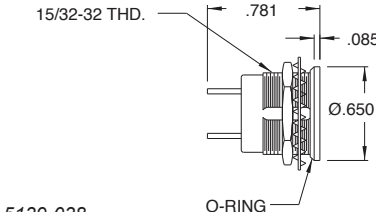
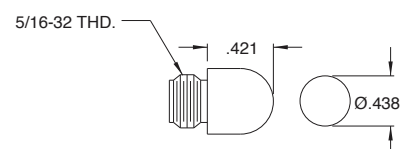
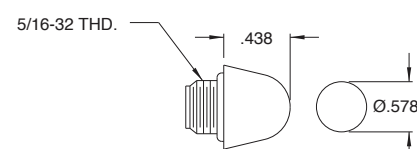


## CLIPLITE™ Midget Flange Relampable Indicator Lights

### Description and Features

Standard	Watertight
 <p>5131-038</p>	 <p>5139-038</p>
 <p>131A-30XX</p>	 <p>139A-40XX</p>

All dimensions in inches.

The Chicago Miniature Lamp Midget Flange Indicator Lights are versatile, industry standard, front panel indicator lights capable of accepting any T-1 3/4 midget flange base lamp. These high quality indicators provide reliable service in a vast array of commercial and military applications (conforming to MIL-L-3661). Lamps are easily replaced from the front panel. These indicator lights are available in both a standard configuration and a watertight configuration providing reliable status indication in the most demanding of environments. The lamp is not included with this indicator light; please order the required lamp separately.

## Specifications

Standard	Watertight	Description
131A-303R	139A-403R	Transparent Red
131A-303A	139A-403A	Transparent Amber
131A-303G	-	Transparent Green
131A-303C	139A-403C	Transparent Clear
131A-304R	139A-404R	Translucent Red
131A-304Y	139A-404Y	Translucent Yellow
131A-304G	139A-404G	Translucent Green
131A-304W	139A-404W	Translucent White

Mounting Hole:	.484, 5131 Type has a keyed flange anti-rotation feature, 5139 Type features a flat "D" hole mounting
Mounting Centers:	.750
Maximum Panel Thickness:	5131 type - .265, 5139 type - .188
Housing/Material:	Black anodized aluminum
Terminals:	Tin plated brass, center contact terminal marked +
Hex Nut:	Chrome treated steel
Lockwasher:	Chrome treated steel
Lens:	High temperature lexan
Lens Shank:	Nickel plated brass
Electrical rating:	up to 30 Volts, up to 2 Watt