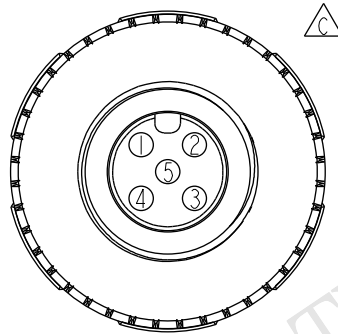
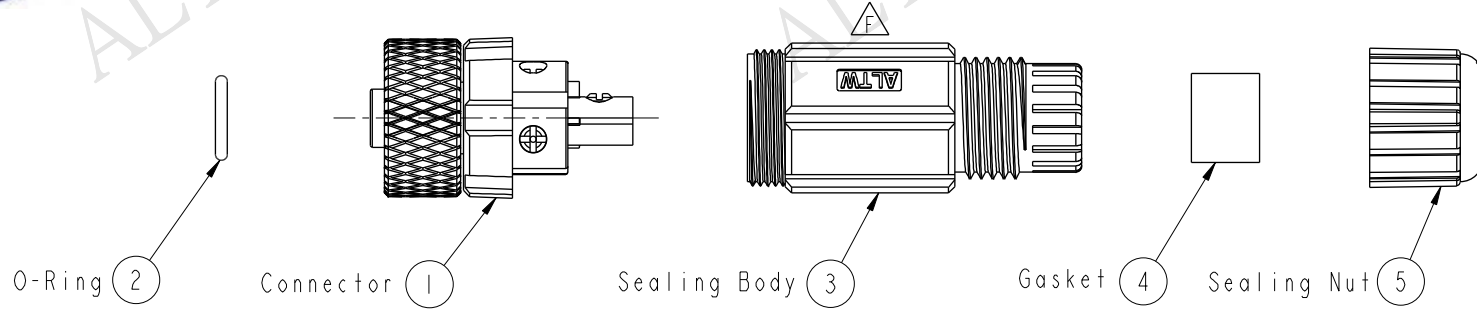
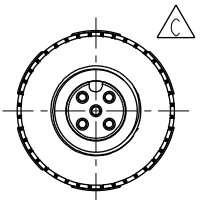




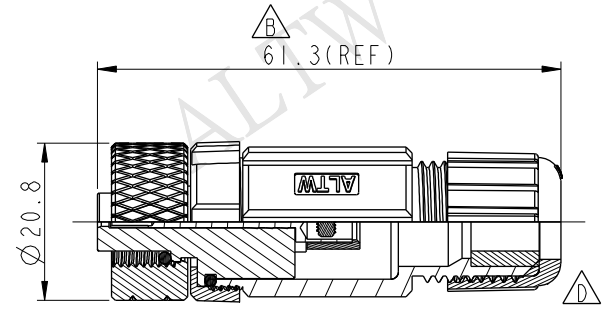
REV.	ECN NO.	DATE	SIGN	DESCRIPTION
D	LEN-940021	2009/03/09	ZhaoRongFu	Change View
E	LEN1350067	2013/04/29	Ruru	Modify Seals Cable OD
F	LEN15A0024	2015/09/18	Ruru	Change Logo



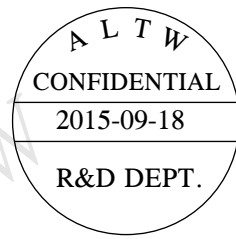
Pin Assignments  
Front View



Conn.



- Note:
- \* Waterproof Rate: IP67
  - \* Connector: PPO V0150B, Black
  - \* Pin: Copper Alloy, Gold Plated
  - \* O-Ring 1: Viton, Green
  - \* O-Ring 2: EPDM, Black
  - \* Holder: Nylon+GF, Black
  - \* Insulator: PVC, Black
  - \* Clamp Ring: Nylon 66, Black
  - \* Gasket: EPDM, Black
  - \* Sealing Nut: Nylon 66, Black
  - \* Nut: Copper Alloy, Nickel Plated
  - \* Seals For Cable OD  $\varnothing 4.5\text{mm} \sim \varnothing 6.5\text{mm}$
  - \* Temperature Range:  $-40^{\circ}\text{C} \sim +85^{\circ}\text{C}$ .



UNIT:mm		
TOLERANCE		
.X	$\pm 0.25$	
.XX	$\pm 0.1$	
.XXX	$\pm 0.05$	
ANGLES	$\pm 1^{\circ}$	

TITLE			
M12			
Ass'y Screw 5P F Conn F Pin			
SCALE	SIZE	SHEET	OF
1:1	A4	1	1
REV.	WC-REV.	QC: Inspection item	
F	B.2		

**Amphenol LTW**  
安費諾亮泰企業股份有限公司

ITEM NO	DRAWN BY	DATE
12-05BFFB-SL7001	Ruru	2015-09-18
DWG NO	CHECKED BY	DATE
12-05BFFB-SL7001	Rita	2015-09-18
CUSTOMER	APPROVED BY	DATE
ALTW	Lion	2015-09-18

THIS DOCUMENT IS SUBJECT TO CHANGE WITHOUT NOTICE. IT IS CONFIDENTIAL AND A PROPERTY OF Amphenol LTW. DISCLOSURE TO THIRD PARTY HAS TO BE AUTHORIZED BY Amphenol LTW.