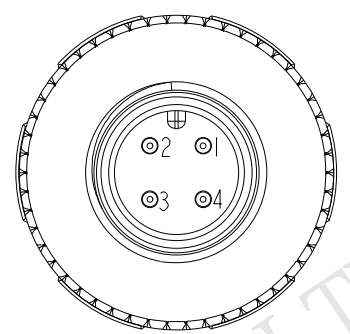
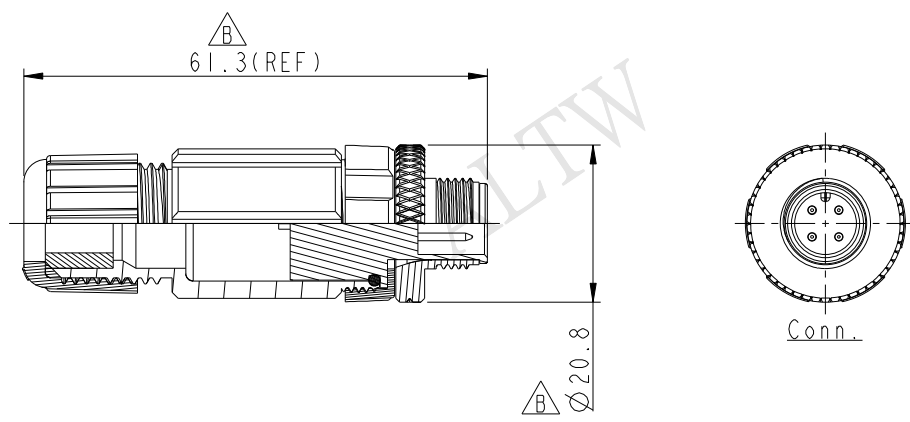
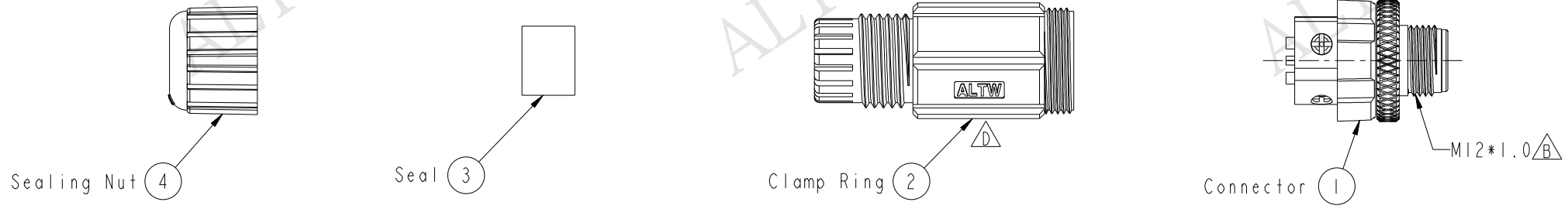
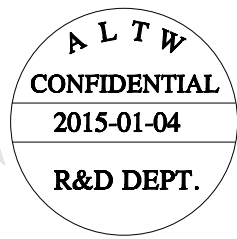
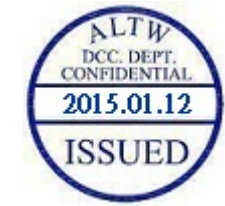


THIS DOCUMENT IS SUBJECT TO CHANGE WITHOUT NOTICE. IT IS CONFIDENTIAL AND A PROPERTY OF Amphenol LTW. DISCLOSURE TO THIRD PARTY HAS TO BE AUTHORIZED BY Amphenol LTW.

REV.	ECN NO.	DATE	SIGN	DESCRIPTION
B	LE3-6C0065	2006/11/20	Cloud	Modify the Note and dimension
C	LEN1350066	2013/04/29	Ruru	Modify Seals Cable OD
D	LEN1510038	2015/01/04	Jinhai	Change Logo & Conn Material



Pin Assignments
Front View



- Note:
- * Waterproof Rate : IP67
 - * Connector: PP, Black
 - * Pin: Copper Alloy, Gold Plated
 - * O-Ring: EPDM, Black
 - * Holder: Nylon+GF, Black
 - * Clamp Ring: Nylon 66, Black
 - * Gasket: EPDM, Black
 - * Sealing Nut: Nylon 66, Black
 - * Nut: Copper Alloy, Nickel Plated
- Note (C):
- * Seals For Cable OD $\varnothing 4.5\text{mm} \sim \varnothing 6.5\text{mm}$
 - * Temperature Range: $-40^{\circ}\text{C} \sim +85^{\circ}\text{C}$.

UNIT:mm	
TOLERANCE	
.X	± 0.25
.XX	± 0.1
.XXX	± 0.05
ANGLES	$\pm 1^{\circ}$

TITLE M12 Screw In Male Conn 4Pin A Code			
SCALE 1:1	SIZE A4	SHEET 1 OF 1	
REV. D	WC-REV. B.2	QC: Inspection item	

Amphenol LTW
安費諾亮泰企業股份有限公司

ITEM NO 12-04BMMB-SL7001	DRAWN BY Jinhai	DATE 2015-01-04
DWG NO 12-04BMMB-SL7001	CHECKED BY Tom	DATE 2015-01-04
CUSTOMER ALTW	APPROVED BY Jerry	DATE 2015-01-04