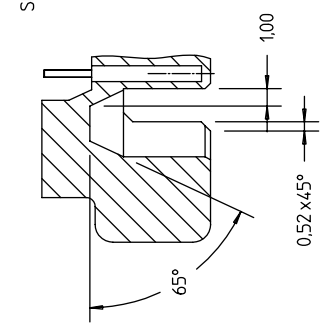
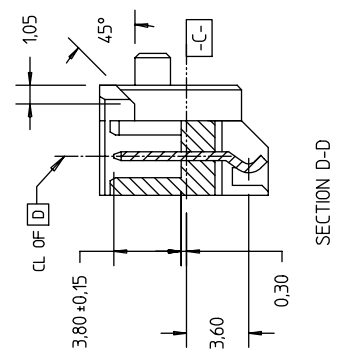
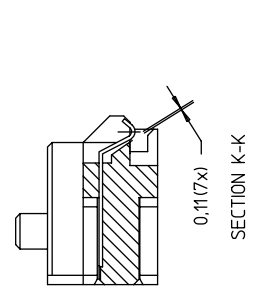
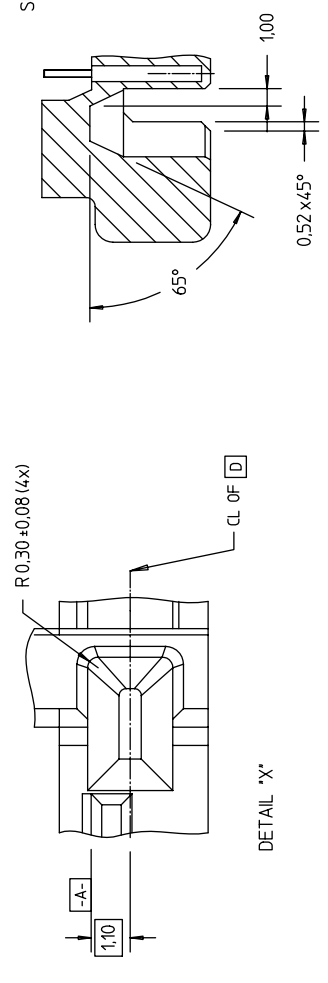
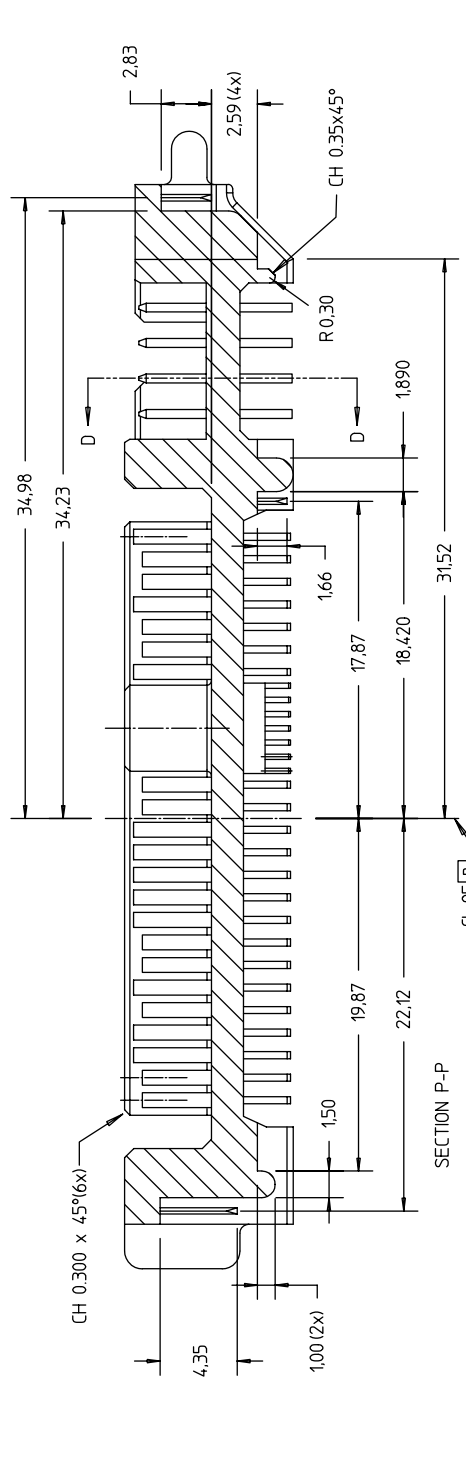
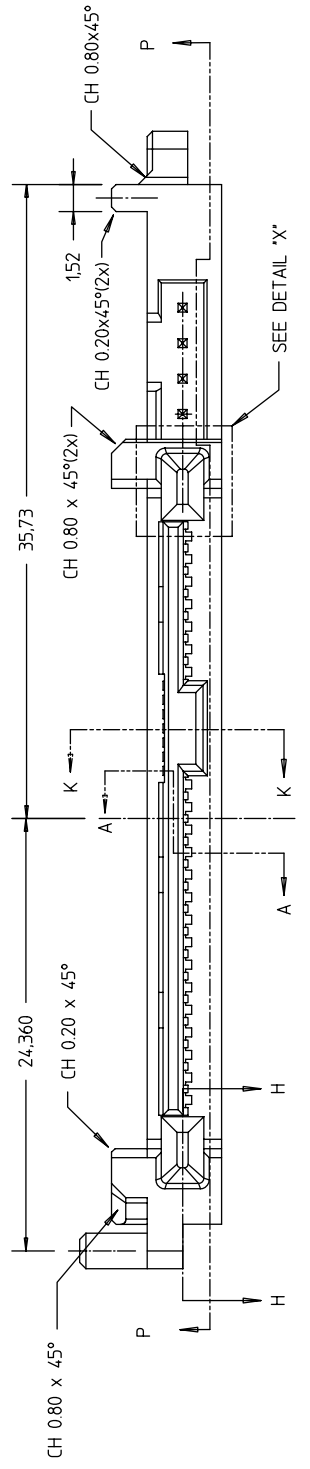


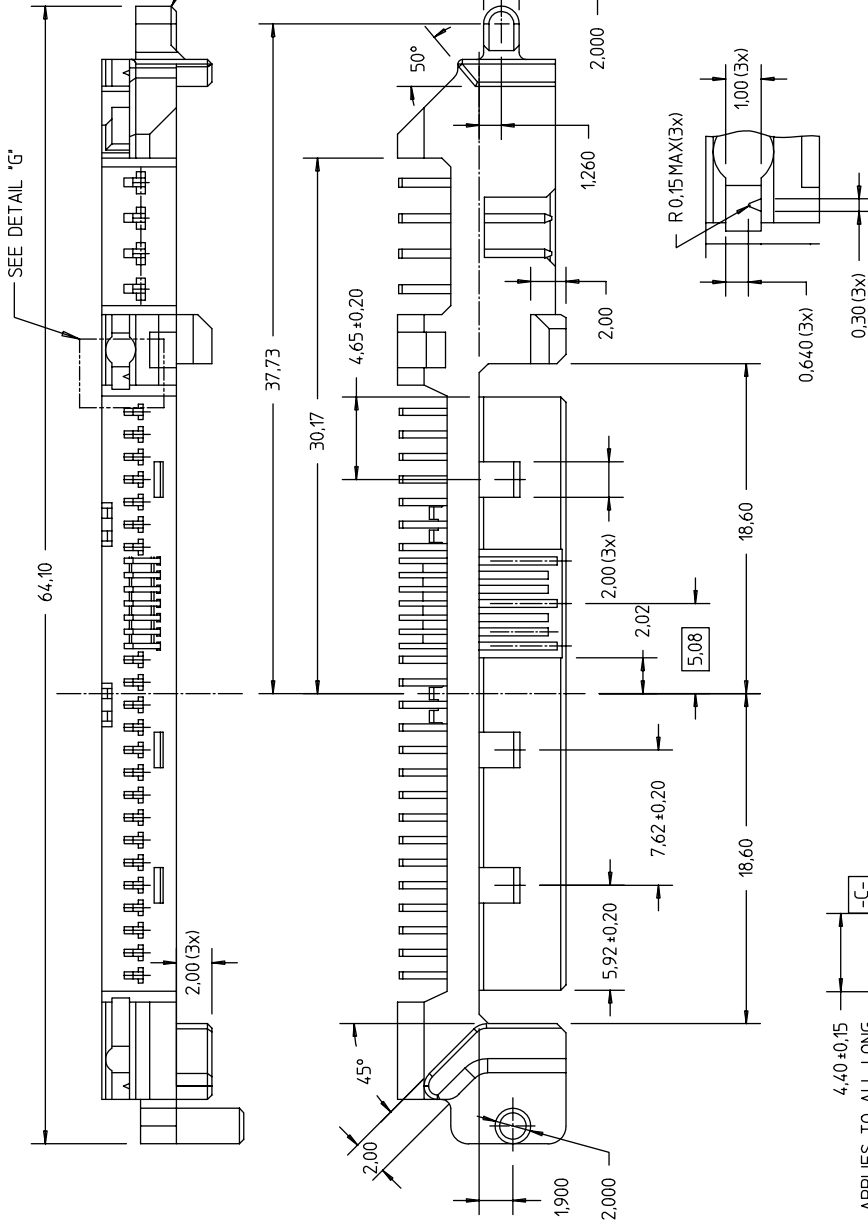
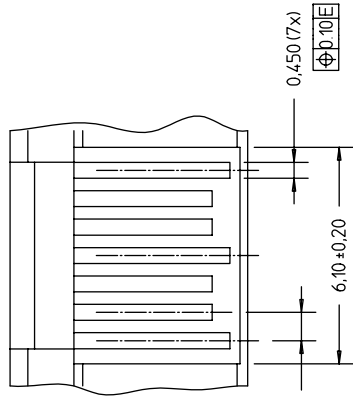


PRODUCT NO  
10076550-002LF

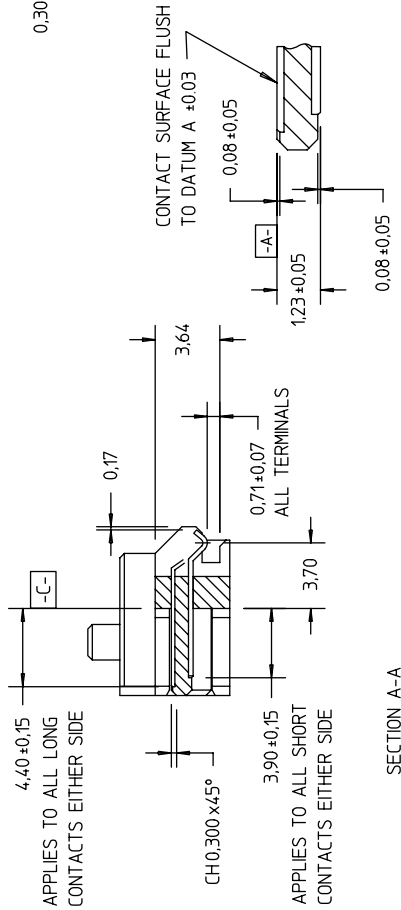


mat'l. code		surface	tolerance	projection	product family	SAS PLUG
ISO 1302	ISO 406 ISO 1101	ISO 1302	ISO 406 ISO 1101	AS	2.5" SAS PLUG	
tolerances unless otherwise specified		angles	linear	scale 2.5 : 1		
dr	R. CRASTA	2007-04-02		sheet 2 of 3 size		
engr	R. CRASTA	2007-12-27		A4		
chr	R. CRASTA	2007-12-27		10076550		
appd	JOEY NG	2007-12-27		CUSTOMER Drawing		
sheet index	revision sheet					

PRODUCT NO  
10076550-002LF



DETAIL 'G'



NOTES :

- 1 MATERIAL: CONTACT PINS: BRASS C2680  
HOUSING: 30% GLASS FILLED LCP BLAC, UL 94V-0
- 2 FINISH :  
A: SATA SIGNAL & POWER PINS: 127µM/50µ" MIN NICKEL UNDERPLATING WITH 0.76µM/30µ" GOLD IN CONTACT AREA  
B: SQUARE PINS: 127µM/50µ" MIN NICKEL UNDERPLATE WITH 0.076µM/3µ" GOLD FLASH IN CONTACT AREA  
C: SOLDER TAIL: 1.9µM/75µ" MIN LEAD FREE(100%) MATTE TIN
- 3 PIN RETENTION FORCE: 12 LBS MIN PER PIN BEFORE AND AFTER EXPOSURE TO REFLOW (245°C) TEMPERATURE
- 4 PACKAGING: CLEAR ANTISTATIC CARTRIDGE TUBE.
- 5 THIS PRODUCT MEETS EUROPEAN UNION DIRECTIVES AND OTHER COUNTRY REGULATIONS AS DESCRIBED IN GS-22-008
- 6 THIS HOUSING WILL WITHSTAND EXPOSURE TO 260°C TEMPERATURE FOR 10 SECONDS IN A CONVECTION, INFRA-RED OR VAPOR PHASE REFLOW OVEN

mat'l. code		surface	tolerance	projection	product family	SAS PLUG
ISO 1302	ISO 406 ISO 1101	ISO 1302	ISO 1302	ISO 1302	title	2.5" SAS PLUG
tolerances unless otherwise specified	tolerances unless otherwise specified	angles	linear	scale 2.5 : 1	dwg no 10076550	
dr	R. CRASTA 2007-04-02	engr	R. CRASTA 2007-12-27	sheet 3 of 3 size A4		
chr	R. CRASTA 2007-12-27	appd	JOEY NG 2007-12-27	type CUSTOMER Drawing		
sheet index	revision sheet					