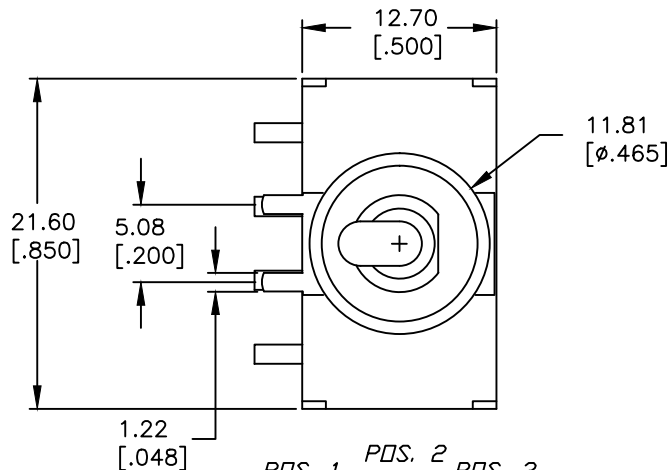


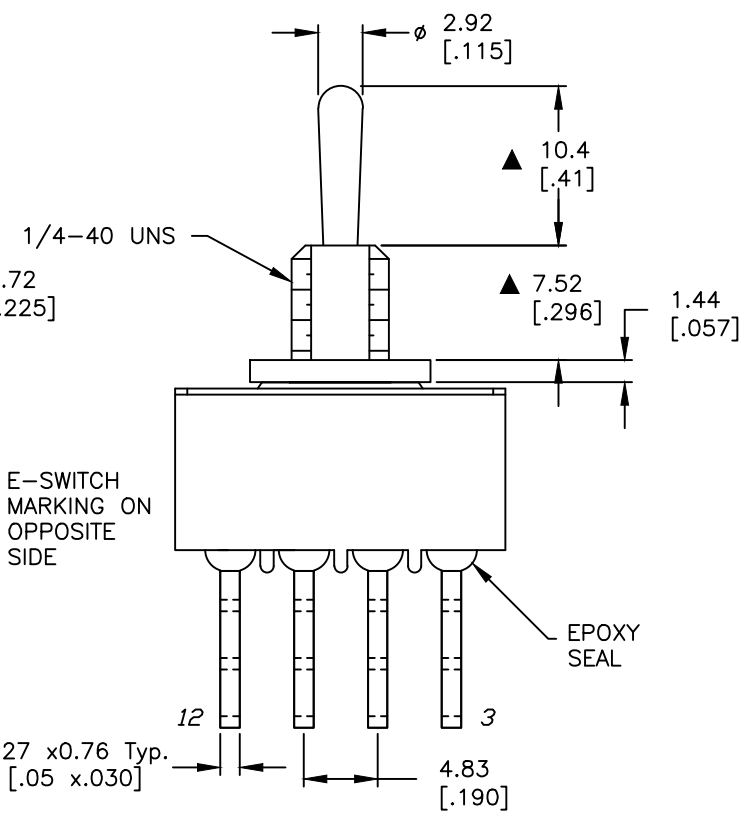
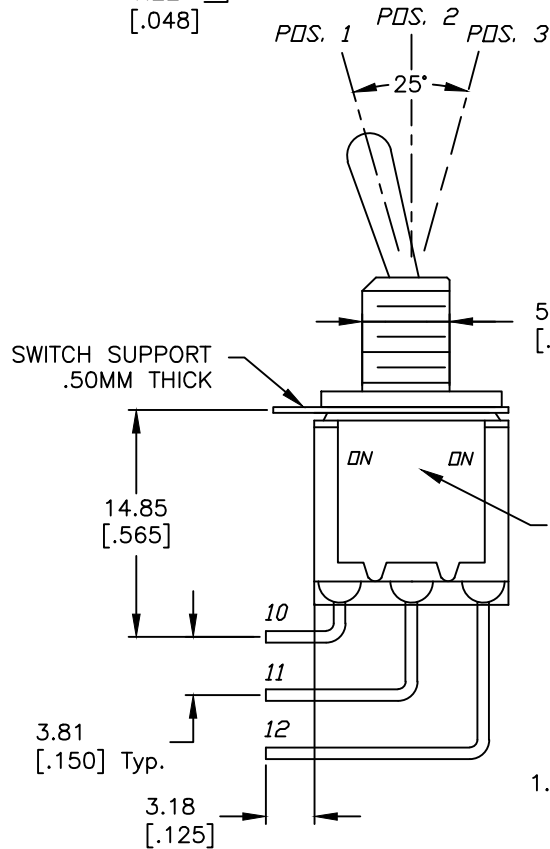
RECOMMENDED P.C.B. LAYOUT  
SCALE: 2X



SWITCH FUNCTION		
PDS. 1	PDS. 2	PDS. 3
ON	NONE	ON
2-3,5-6	OPEN	2-1,5-4
8-9,11-12		8-7,11-10

NOTES:

1. ALL DIMENSIONS IN MM [INCH]
2. GENERAL TOLERANCE: X.X=±0.4  
X.XX=±0.25
3. TERMINAL NUMBERS FOR REF ONLY
4. RATING: 5A @120VACor 28VDC  
2A @250VAC. w/resistive loads
- ▲ 5. CONTACT & TERM MATERIAL:  
Cu Alloy w/Silver plate.
6. ELECTRIC LIFE: 50,000 make-and-break cycles at full load.
7. INSULATION RESISTANCE: 1,000 Mega-ohm min.
8. DIELECTRIC STRENGTH: 1,000 V RMS @sea level.
9. OPERATING TEMP.: -30°C to 85°C
10. ▲ DENOTES CRITICAL PARAMETER.



**E-SWITCH®**

C	23326	UPDATED DIMENSIONS	4/23/18	MW
B	22607	UPDATED SWITCH SUPPORT	11/28/16	MJR
REV.	ECN No.	DESCRIPTION	DATE	CHKD

TITLE				
1004P1T1B9M7QE				
SCALE	DATE	DR	DWG	REV
2:1	4/15/04	AR	T147001	C

THE INFORMATION CONTAINED IN THIS DOCUMENT IS PROPRIETARY TO E-SWITCH AND IS NOT TO BE COPIED OR TRANSFERRED