

1

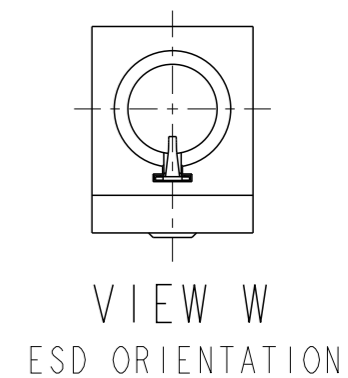
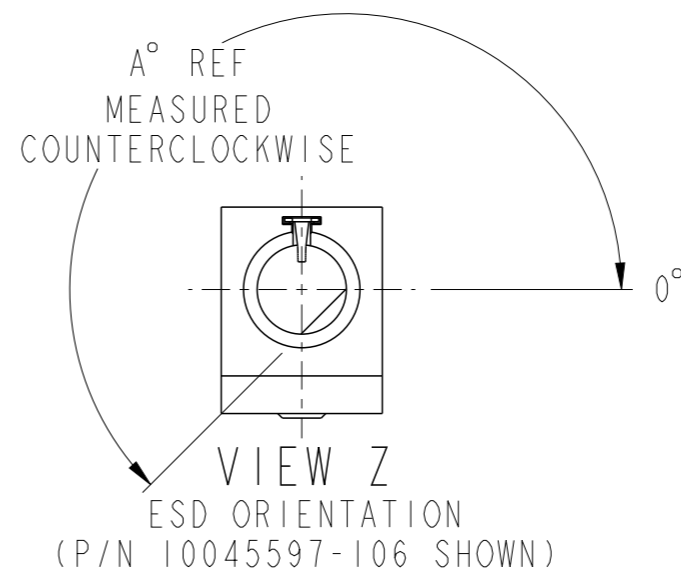
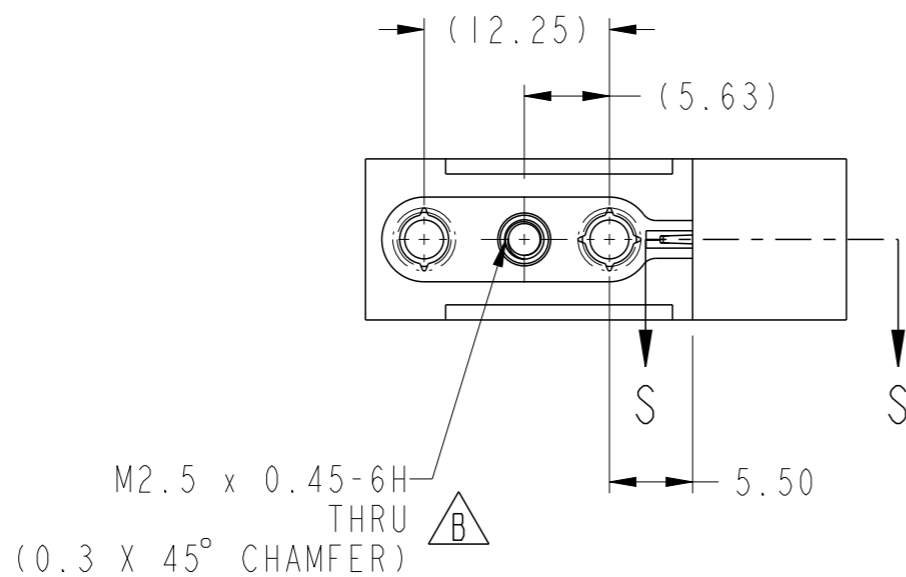
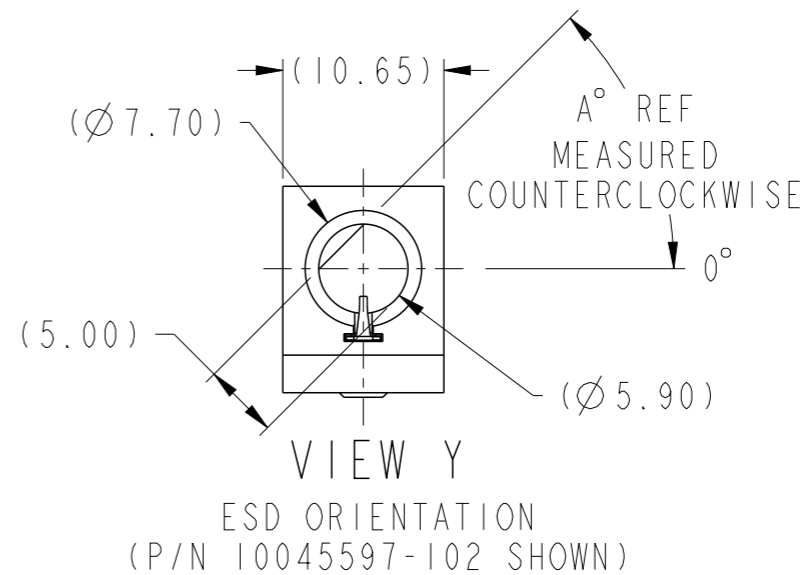
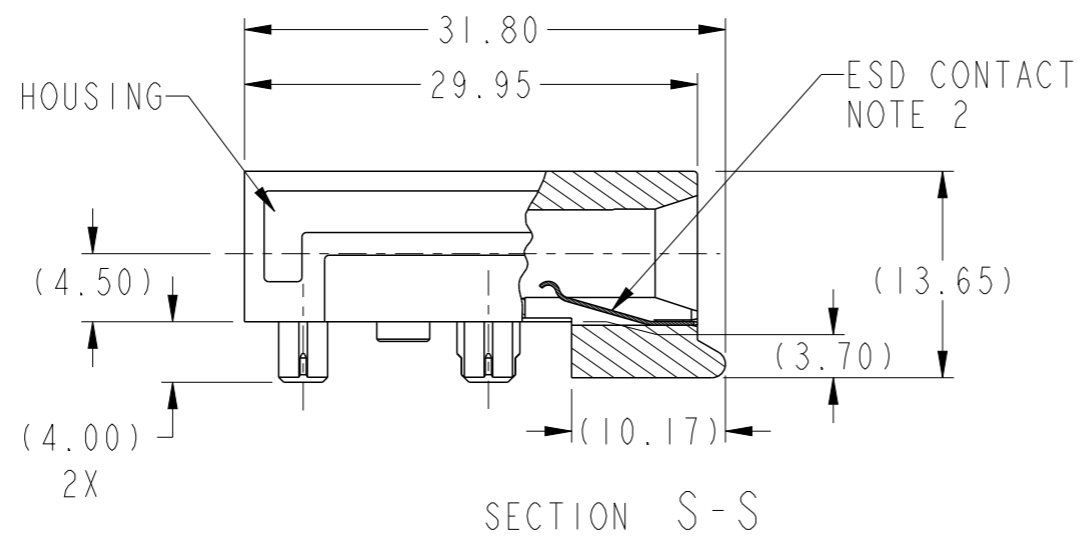
2

3

4

A

B



Copyright FCI.

D

spec ref	-	dr	Chen-Hong Tan	2005/08/17	projection	MM	size	A3	scale	1:1
tolerance std	ASME Y14.5	eng	Yong-Keat Lim	2011/10/04			ecn no		ELX-S-006144-1	
	TOLERANCES UNLESS OTHERWISE SPECIFIED	chr	-	-			rel level		Released	
surface	✓	appr	Chen-Hong Tan	2011/10/07	product family	-	dwg no	10045597	rev	B
	linear				10.8mm R/A GUIDE SOCKET ASSY					
					2/3 PAIR					
	angular				www.fci.com	cat. no.	-	Product - Customer Drw	sheet 1 of 2	

2

3

PDS: Rev :B

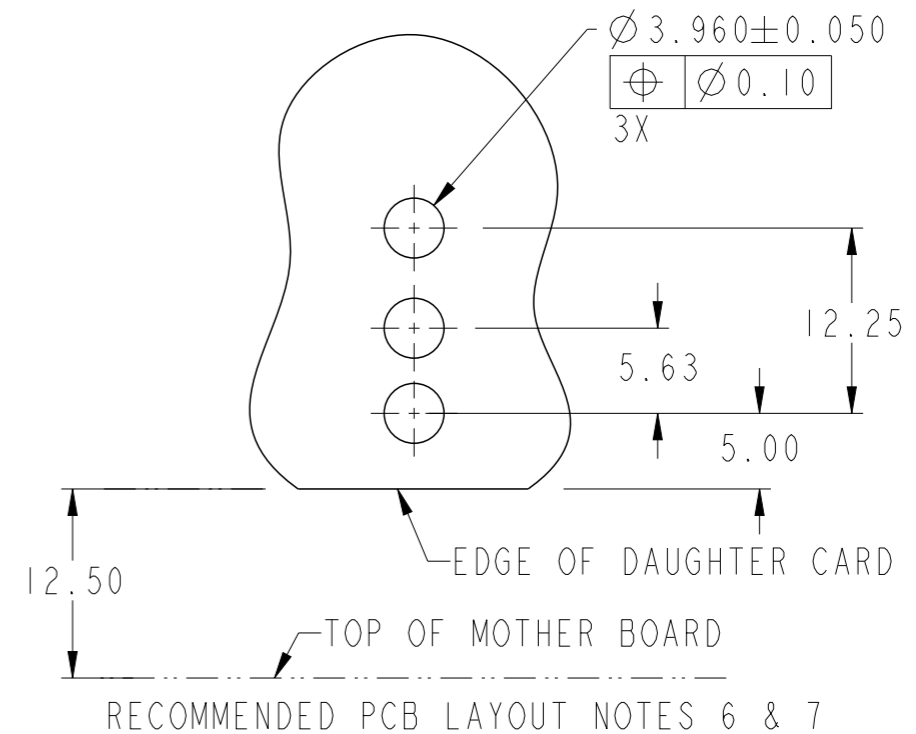
STATUS:Released

Printed: Oct 07, 2011

PART NUMBER NOTES 4 & 5	DIM A°	ESD PIN LOCATION
10045597-1X1LF	0°	VIEW Y
10045597-1X2LF	45°	VIEW Y
10045597-1X3LF	90°	VIEW Y
10045597-1X4LF	135°	VIEW Z
10045597-1X5LF	180°	VIEW Z
10045597-1X6LF	225°	VIEW Z
10045597-1X7LF	270°	VIEW Z
10045597-1X8LF	315°	VIEW Y
10045597-1X9LF	NO KEY NOTE 5	VIEW W

NOTES:

- ① MATERIAL: ZINC ALLOY
- ② FINISH: HOUSING; ZINC YELLOW CHROMATE
ESD CONTACT; 1.27µm MINIMUM NICKEL ALL OVER
3. PRELIMINARY APPLICATION SPEC: GS-20-045
- ④ X = 0 FOR MODULES WITH ESD GROUNDING OPTION
X = 1 FOR MODULES W/O ESD GROUNDING OPTION
- ⑤ FOR THE -109 VERSION THE MATING GUIDE PIN MUST BE ORIENTATED SO IT MAKES CONTACT WITH THE ESD PIN
- ⑥ THRU HOLE PLATING AND ANNULAR RINGS MUST BE ADDED AS APPROPRIATE FOR APPLICATIONS WITH THE ESD GROUNDING OPTION
- ⑦ REFER TO CUSTOMER DRAWING 10035911 FOR INFORMATION REGARDING PCB LAYOUT OF POWER AND GUIDE MODULES RELATIVE TO SIGNAL MODULES
8. THIS PRODUCT MEETS EUROPEAN UNION DIRECTIVES AND OTHER COUNTRY REGULATIONS AS DESCRIBED IN GS-22-008.
9. PACKAGING MEETS GS-14-920 LEAD FREE LABELING SPECIFICATION.
10. A $\triangle B$ SYMBOL WILL BE NEXT TO ANY DIMENSION, VIEW, OR NOTE WHICH HAS BEEN MODIFIED WITH THE CURRENT DRAWING REVISION.



spec ref	-	dr	Chen-Hong Tan	2005/08/17	projection	MM	size	A3	scale	2:1
tolerance std	ASME Y14.5	eng	Yong-Keat Lim	2011/10/04			ecn no	ELX-S-006144-1		
		chr	-				rel level	Released		
surface	✓	appr	Chen-Hong Tan	2011/10/07	product family	-	rel level	Released		
		linear	0.X	±0.3		10.8mm R/A GUIDE SOCKET ASSY 2/3 PAIR	dwg no 10045597	rev		
			0.XX	±0.10				B		
			0.XXX	±0.050						
		angular	0°	±2°	www.fci.com	cat. no.	-	Product - Customer Drw	sheet 2 of 2	