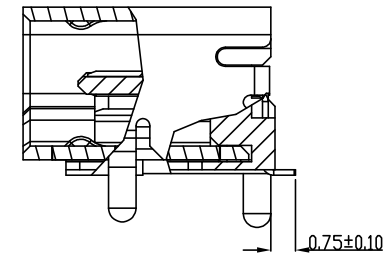
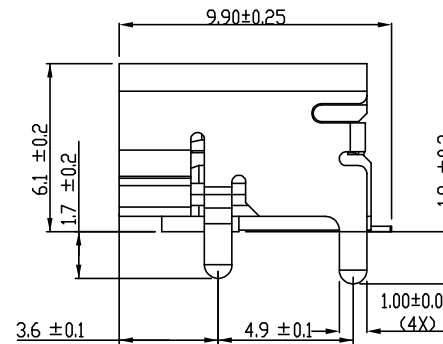
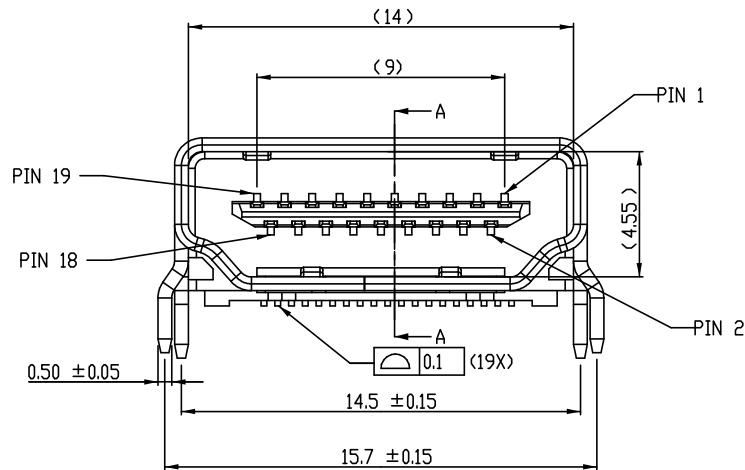
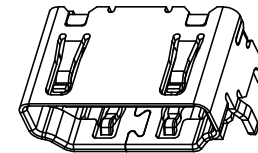
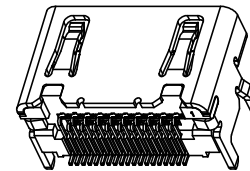
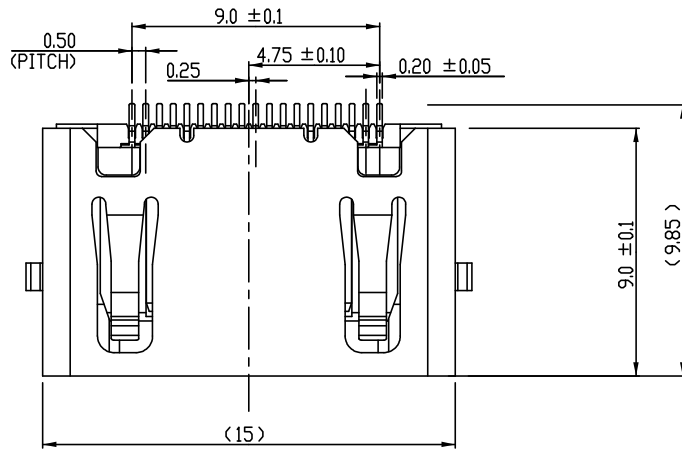


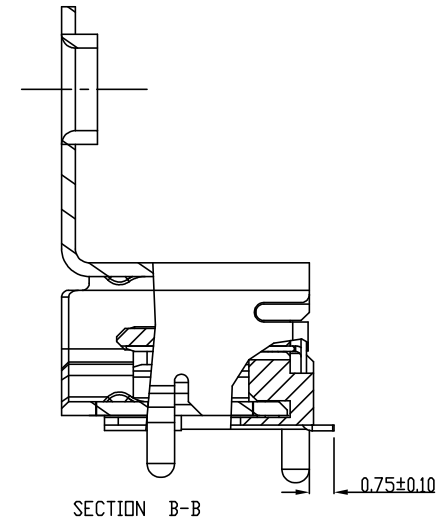
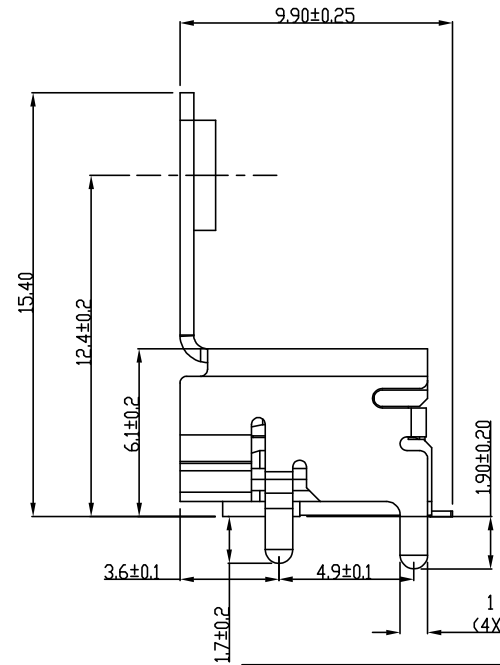
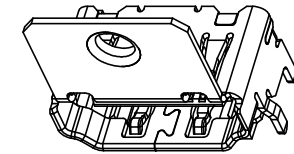
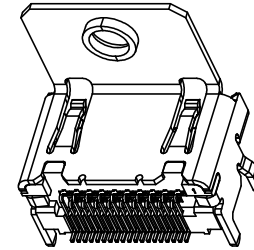
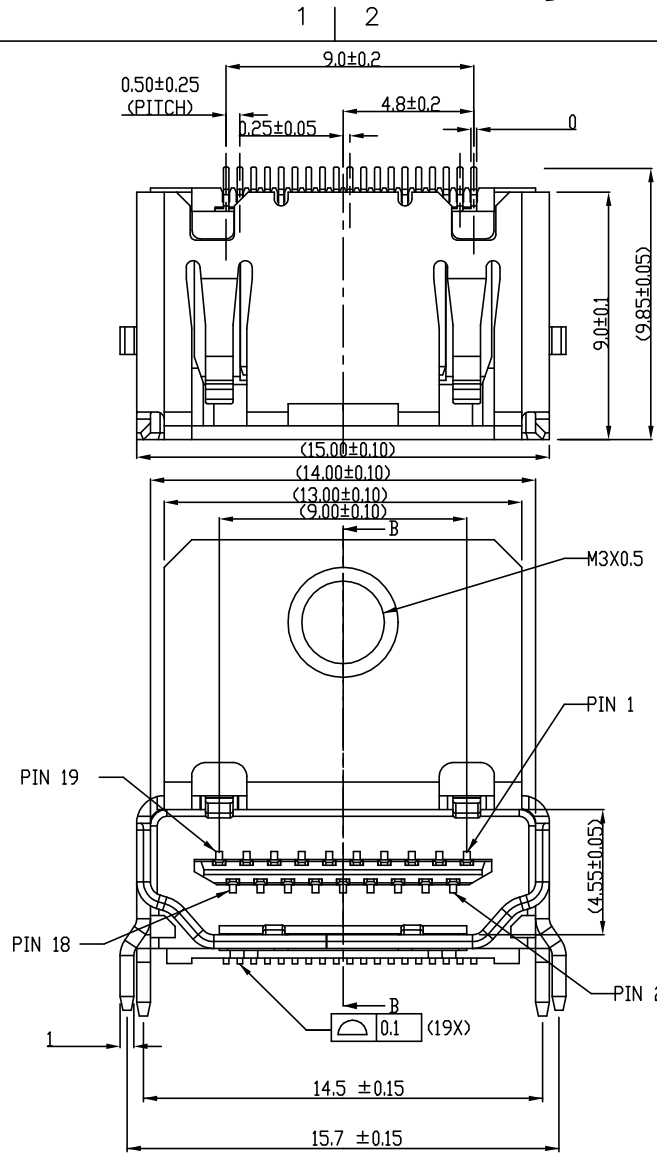
PRODUCT NO.
10029449-X01XLF



SECTION A-A

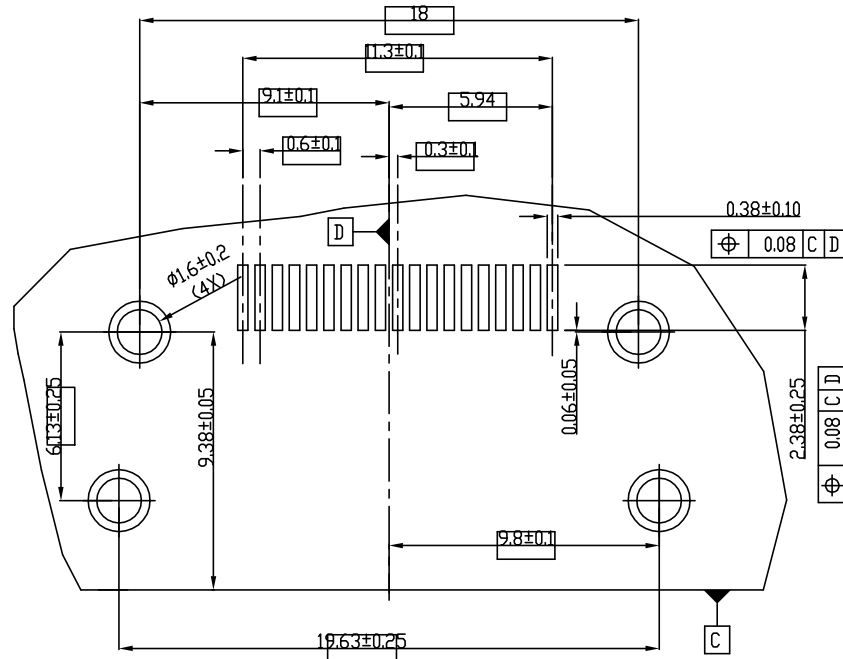
mat'l. code		surface ISO1302 ✓		tolerance ISO1101 ISO406		projection ⊕		product family HDMI			
ltr	ecn no	dr	date	tolerances unless otherwise specified		MM		title			
M	N09-0307	SH	10/21/09	angles	.X±0.3	MM		HDMI TYPE A RECEPTACLE			
N	N10-0033	SH	02/01/10	line	.XX±0.15	scale 4.0					
P	N10-0201	KW	2011-02-14	0°±2°	.XXX±0.05						
R	N12-0001	SH	2012-02-23	dr	LEIF SHEN	10/15/04			dwg no		
S	N12-0003	A.ZH	2012-06-13	eng	LEIF SHEN	10/15/04			sheet 1 of 5		
T		TONY	2018-08-31	chr	PAUL WANG	10/15/04			size		
				app	JOSEPH HSIA	10/15/04			A4		
sheet index		revision sheet		T				type		Product Customer Drawing	
		1									

PRODUCT NO.
10029449-002XLF



mat'l. code		surface ISO1302 ✓		tolerance ISO1101 ISO406		projection ⊕		product family HDMI	
ltr		ecn no dr		date		tolerances unless otherwise specified		title HDMI TYPE A RECEPTACLE	
						angles linear 0°±2'		MM	
								scale 4.0	
		dr		LEIF SHEN		10/15/04		dwg no	
		eng		LEIF SHEN		10/15/04		sheet 2 of 5	
		chr		PAUL WANG		10/15/04		size A4	
		app		JOSEPH HSIA		10/15/04		10029449	
sheet index		revision sheet		T				type Product Customer Drawing	
		2							

PRODUCT NO.	CONTACT AREA PLATING	SHIELD FIGURE	PACKING
10029449-001TLF	30u" GXT MINIMUM	WITHOUT FLANGE	TRAY
10029449-001RLF	30u" GXT MINIMUM	WITHOUT FLANGE	TAPE AND REEL
10029449-101TLF	GOLD FLASH 3u" MIN	WITHOUT FLANGE	TRAY
10029449-101RLF	GOLD FLASH 3u" MIN	WITHOUT FLANGE	TAPE AND REEL
10029449-002TLF	30u" GXT MINIMUM	WITH FLANGE	TRAY
10029449-002RLF	30u" GXT MINIMUM	WITH FLANGE	TAPE AND REEL
10029449-002FLF	GOLD FLASH 3u" MIN	WITH FLANGE	TAPE AND REEL



RECOMMENDED PCB PATTERN LAYOUT
(t=1.6mm)

NOTES:

1. MATERIAL

- 1-1 HOUSING: GLASS FIBER HIGH-TEMP. RESIN.(UL94V-0)
- 1-2 CONTACT: BRASS
- 1-3 SHELL : STEEL

2. FINISH

- 2-1 CONTACT : Ni UNDER PLATED ALL OVER 50u" MIN CONTACT AREA SEE TABLE
- 2-2 SHELL : Ni 100u" MIN.

3. PACKAGING:

PACKAGING SPECIFICATION GS-14-939.

4. PRODUCT SPEC:

PRODUCT SPECIFICATION GS-12-309.

5. RoHS STANDARD SPECIFICATION ACCORDING TO FCI GS-22-008.

6. PARTS MEET REFLOW APPLICATION PEAK TEM. 260°C, 10 SECONDS MAX.

mat'l. code		surface ISO1302 <input checked="" type="checkbox"/>		tolerance ISO1101 ISO406		projection		product family HDMI		
ltr	ecn	no	dr	date	tolerances unless otherwise specified				title	
					.x±.0.3		MM		HDMI TYPE A RECEPTACLE	
					.xx±.0.15		scale 4.0		dwg no	
					0°±2'				sheet 3 of 5	
			dr	LEIF SHEN	10/15/04			10029449		size
			eng	LEIF SHEN	10/15/04			Product Customer Drawing		A4
			chr	PAUL WANG	10/15/04					
			app	JOSEPH HSIA	10/15/04					
sheet index	revision	T								
	sheet	3								

PRODUCT NO.	CONTACT AREA PLATING	SHIELD FIGURE	DIM "A"	PACKING
10029449-111RLF	GOLD FLASH 3u" MIN	WITHOUT FLANGE	2.02±0.20	TAPE AND REEL
10029449-113RLF	GOLD FLASH 3u" MIN	WITHOUT FLANGE	0.90±0.20	TAPE AND REEL

NOTE:

1.MATERIAL:

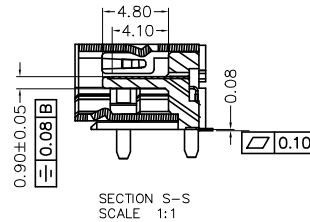
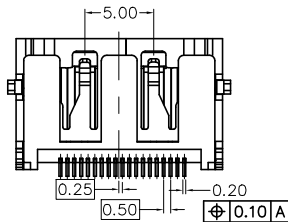
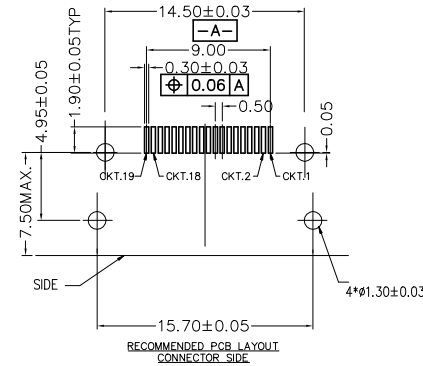
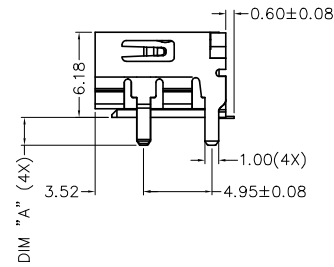
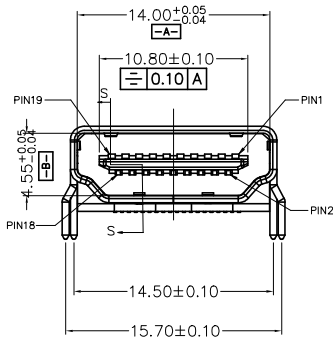
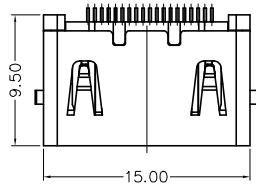
HOUSING: HIGH TEMP.THERMOPLASTIC, UL 94V-0
 COLOR: BLACK.
 CONTACT: PHOSPHOR BRONZE
 SHIELD: BRASS

2.FINISH:

SEE NOTES.

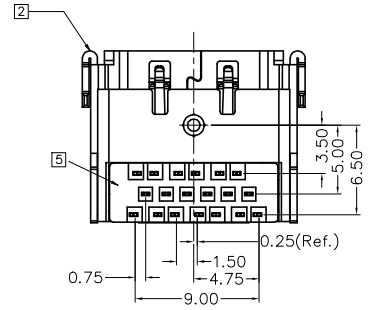
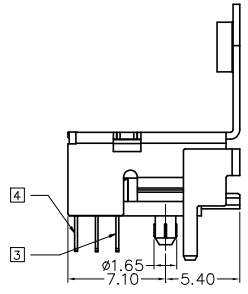
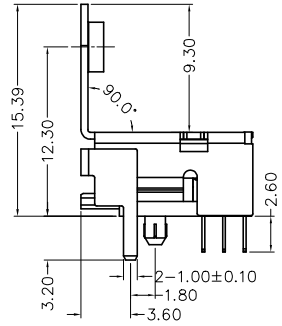
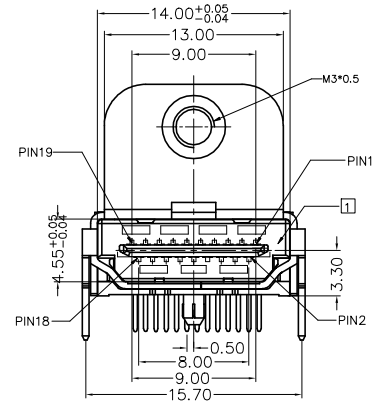
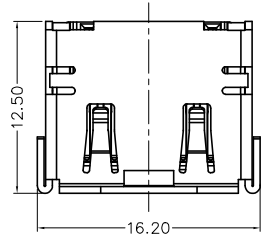
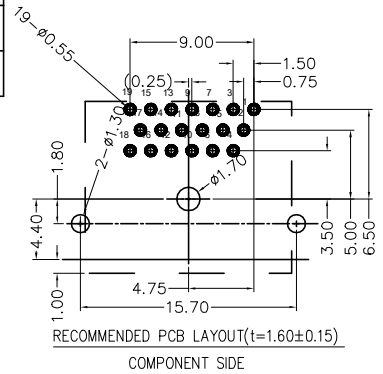
3.TERMINAL RETENTION FORCE TO BE 0.3kgf MIN.

4.TERMINAL CUT-OFF BURR TO BE 0.05MAX.



mat'l. code		surface ISO1302 ✓		tolerance ISO1101 ISO406		projection MM		product family HDMI	
ltr		ecn no		dr		date		title	
								HDMI TYPE A RECEPTACLE	
								scale 2.0	
								dwg no	
								10029449	
								sheet 4 of 5	
								size A4	
								type Product Customer Drawing	
sheet index		revision sheet		T					
		4							

PRODUCT NO.	CONTACT AREA PLATING	SHIELD FIGURE	PACKING
10029449-112TLF	GOLD FLASH 3u" MIN	WITH FLANGE	TRAY
10029449-112RLF	GOLD FLASH 3u" MIN	WITH FLANGE	TAPE AND REEL



NOTE:

1.MECHANICAL CHARACTERISTICS
 INSERTION FORCE: 44.1N MAX
 WITHDRAWAL FORCE: 9.8N MIN, 39.2N MAX
 MATING CYCLE:10000 CYCLES
 CONTACT PULL OUT FORCE: 1.96N/PIN MIN

2.ELECTRICAL CHARACTERISTICS
 RATING CURRENT: 0.5A
 RATING VOLTAGE: 40V
 CONTACT RESISTANCE: 10 MILLOHMS OHMS MAX
 (EXCLUDING CONDUCTOR RESISTANCE)
 INSULATION RESISTANCE:
 a, UNMATED: 100M OHMS MIN AT 500 VDC
 b, MATED: 10M OHMS MIN AT 150 VDC
 DIELECTRIC WITHSTANDING VOLTAGE: 300V AC/1MINUTE
 OPERATING TEMPERATURE: -20°C--+85°C
 STORAGE TEMPERATURE: -20°C--+65°C

mat'l. code		surface ISO1302	tolerance ISO1101 ISO406	projection	product family HDMI
ltr	ecn no	dr	date	tolerances unless otherwise specified	title
				angles 0°±2'	HDMI TYPE A RECEPTACLE
				inches .0±.03 .00±.015 .000±.005	MM
				scale 2.0	dwg no
		dr	LEIF SHEN	10/15/04	sheet 5 of 5
		eng	LEIF SHEN	10/15/04	size
		chr	PAUL WANG	10/15/04	A4
		app	JOSEPH HSIA	10/15/04	10029449
sheet index	revision sheet	T			type Product Customer Drawing
	5				