

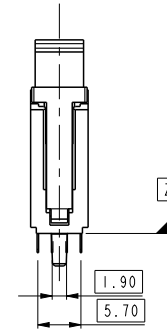
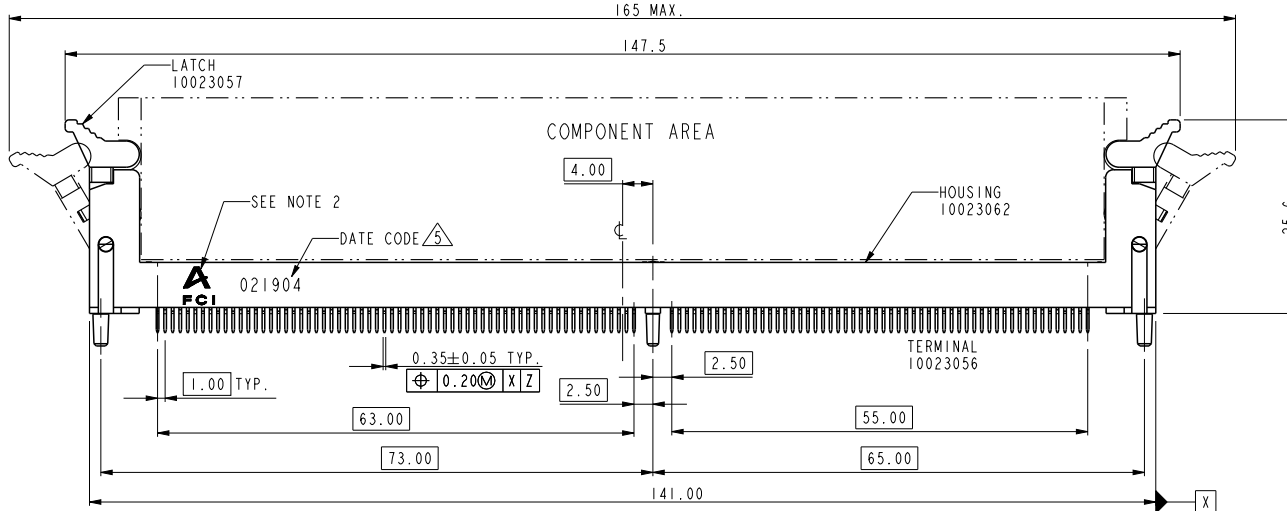
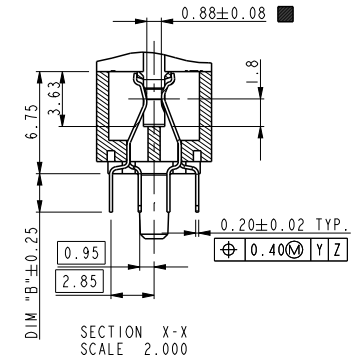
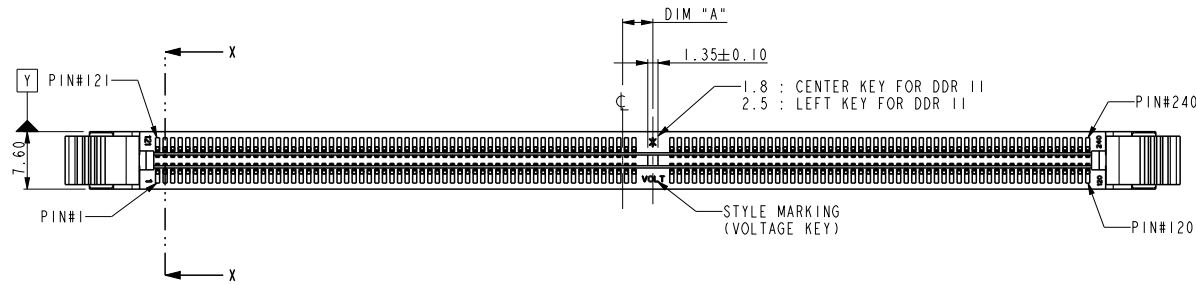
A

B

C

D

PRODUCT NO.  
10023061-XXXX



PART NO.	DIM "A"	DESCRIPTION
10023061-1****	4.00	1.8V
10023061-2****	3.00	2.5V
10023061-3****	5.00	X.XV

spec ref	*	dr	Su-Hua Miao	2010/11/04	projection	MM	size	A4	scale	0.500	
tolerance std	TOLERANCES UNLESS OTHERWISE SPECIFIED	eng	Marty Glass	2018/01/26			ecn no	ELX-DG-28708-1			
ISO 406		chr	-	-				rel level	Released		
ISO 1101		appr	Nickor Zuo	2018/01/29	product family						
surface	linear	Amphenol FCI			DDR II 240P PLASTIC POST. ASS'Y		10023061		rev P		
	0.X										±0.38
	0.XX										±0.25
	0.XXX	±0.13	cat. no.		*	Product - Customer Drw		sheet 1 of 4			
ISO 1302	angular	0°	±2°								

A

B

C

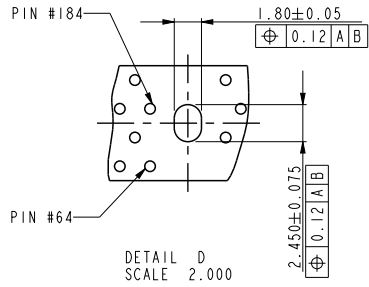
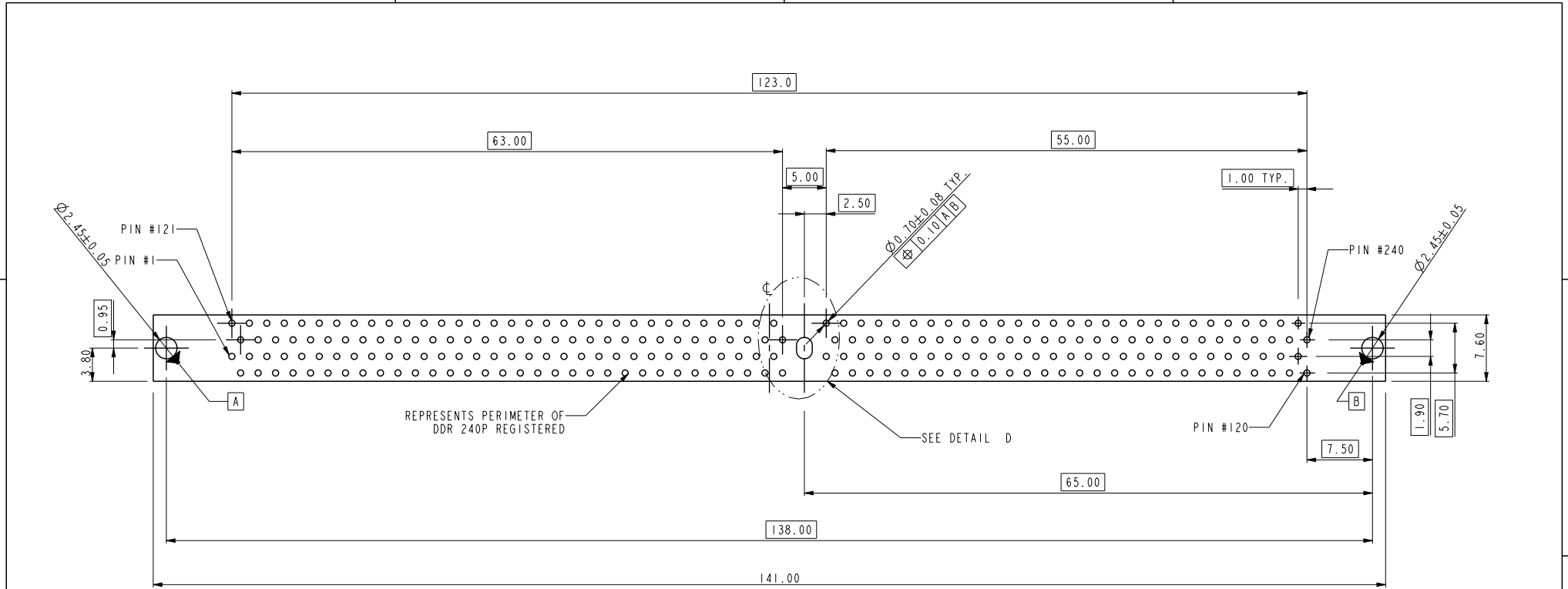
D

A

B

C

D



RECOMMENDED CIRCUIT BOARD HOLE LAYOUT

spec ref	*	dr	Su-Hua Miao	2010/11/04	projection	MM ←→	size	A4	scale	0.500	
tolerance std	TOLERANCES UNLESS OTHERWISE SPECIFIED	eng	Marty Glass	2018/01/26			ecn no	ELX-DG-28708-1			
ISO 406		chr	-	-			rel level	Released			
ISO 1101		appr	Nickor Zuo	2018/01/29		product family					
surface	linear	0.X	±0.38	Amphenol FCi	title	DDR 11 240P PLASTIC POST. ASS'Y	dwg no	10023061		rev	P
ISO 1302		0.XX	±0.25							cat. no.	*
	0.XXX	±0.13									
angular	0°	±2°									

10023061 - □ □ □ □ □

STYLE : MECHANICAL KEYING

1 : 1.8 VOLT. W/ CENTER KEY#1  
 2 : 2.5 VOLT. W/ LEFT KEY#1  
 3 : X.X VOLT. W/ RIGHT KEY#1

COLOR OF HOUSING

0 : BLACK HOUSING  
 1 : BLUE HOUSING

TAIL LENGTH

CODE	DIM "B"
0	2.54
1	2.67
2	3.18

PLATING

CODE	CONTACT	SOLDERTAIL	UNDERPLATE
1	10u" (0.25um) MIN. GOLD	100u" (2.54um) MIN. TIN/LEAD	50u" (1.27um) MIN. NICKEL OVERALL
2	15u" (0.38um) MIN. GOLD		
3	30u" (0.76um) MIN. GOLD		
4	3u" (0.076um) MIN. GOLD		
6LF	10u" (0.25um) MIN. GOLD	100u" (2.54um) MIN. 100% TIN	50u" (1.27um) MIN. NICKEL OVERALL
7LF	15u" (0.38um) MIN. GOLD		
8LF	30u" (0.76um) MIN. GOLD		
9LF	3u" (0.076um) MIN. GOLD		

COLOR OF EJECTOR

0 : IVORY EJECTOR  
 2 : BLACK EJECTOR

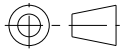

NOTES:

- MATERIAL:  
 HOUSING: HIGH PERFORMANCE RESINS, GLASS FILLED UL94V-0 RATED.  
 EJECTOR: HIGH PERFORMANCE RESINS, GLASS FILLED UL94V-0 RATED.  
 TERMINAL: PHOSPHOR BRONZE
- FCI LOGO TO BE APPROXIMATELY LOCATED AS SHOWN ON PRINT.
- PRODUCT SPECIFICATION: GS-12-251.
- PACKAGING SPECIFICATION: GS-14-899.
- THE DATE CODE IS SHOWN "MM-DD-YY".
- DIMENSION MARKED "■" NEED CPK>1.5

spec ref *		dr Su-Hua Miao		2010/11/04		projection		size A4		scale 0.500	
tolerance std		eng Marty Glass		2018/01/26						ecn no ELX-DG-28708-1	
ISO 406 ISO 1101		chr -		-						rel level Released	
surface		appr Nickor Zuo		2018/01/29		product family		rev		10023061	
TOLERANCES UNLESS OTHERWISE SPECIFIED ISO 1302 ✓		linear		0.X ±0.38		Amphenol FCi title DDR 11 240P PLASTIC POST. ASS'Y - cat. no. *		Product - Customer Drw		sheet 3 of 4	
				0.XX ±0.25							
				0.XXX ±0.13							
		angular		0° ±2°							

PRODUCT NO.	DIM "B"	HOUSING PART NO.	HOUSING COLOR	TERMINAL PART NO.	EJECTOR PART NO.	EJECTOR COLOR	DESCRIPTION	
10023061-1000*	2.54	10023062-10040	BLACK	10023056-200*	10023057-001	IVORY	FOR 1.8 VOLT.	
10023061-1010*	2.67			10023056-201*				
10023061-1020*	3.18			10023056-203*				
10023061-1002*	2.54			10023056-200*	10023057-002	BLACK		
10023061-1012*	2.67			10023056-201*				
10023061-1022*	3.18			10023056-202*				
10023061-1100*	2.54	10023062-10140	BLUE	10023056-200*	10023057-001	IVORY		
10023061-1110*	2.67			10023056-201*				
10023061-1120*	3.18			10023056-202*				
10023061-2000*	2.54	10023062-20040	BLACK	10023056-200*	10023057-001	IVORY		FOR 2.5 VOLT.
10023061-2010*	2.67			10023056-201*				
10023061-2020*	3.18			10023056-202*				
10023061-2002*	2.54			10023056-200*	10023057-001	BLACK		
10023061-2012*	2.67			10023056-201*				
10023061-2022*	3.18			10023056-202*				
10023061-2100*	2.54	10023062-20140	BLUE	10023056-200*	10023057-002	IVORY		
10023061-2110*	2.67			10023056-201*				
10023061-2120*	3.18			10023056-202*				
10023061-3000*	2.54	10023062-30040	BLACK	10023056-200*	10023057-001	IVORY	FOR X.X VOLT.	
10023061-3010*	2.67			10023056-201*				
10023061-3020*	3.18			10023056-202*				
10023061-3002*	2.54			10023056-200*	10023057-001	BLACK		
10023061-3012*	2.67			10023056-201*				
10023061-3022*	3.18			10023056-202*				
10023061-3100*	2.54	10023062-30140	BLUE	10023056-200*	10023057-002	IVORY		
10023061-3110*	2.67			10023056-201*				
10023061-3120*	3.18			10023056-202*				

REMARK:  
 1. PROD. NO. MARK "\*" SEE ABOVE PART NO. PLATING CODE DESCRIPTION.  
 2. TERMINAL PART NO. MARK "\*" SHOULD BE THE SAME AS IN PRODUCT PART NO..

spec ref *		dr	Su-Hua Miao	2010/11/04	projection		size	A4	scale	1.000			
tolerance std		eng	Marty Glass	2018/01/26			ecn no	ELX-DG-28708-1					
ISO 406 ISO 1101		chr	-	-			product family	rel level	Released				
surface		appr	Nickor Zuo	2018/01/29	title		DDR 11 240P PLASTIC POST. ASS'Y		dwg no	10023061		rev	P
ISO 1302		linear		0.X	±0.38	cat. no.		*	Product - Customer Drw		sheet 4 of 4		
		angular		0°	±2°								