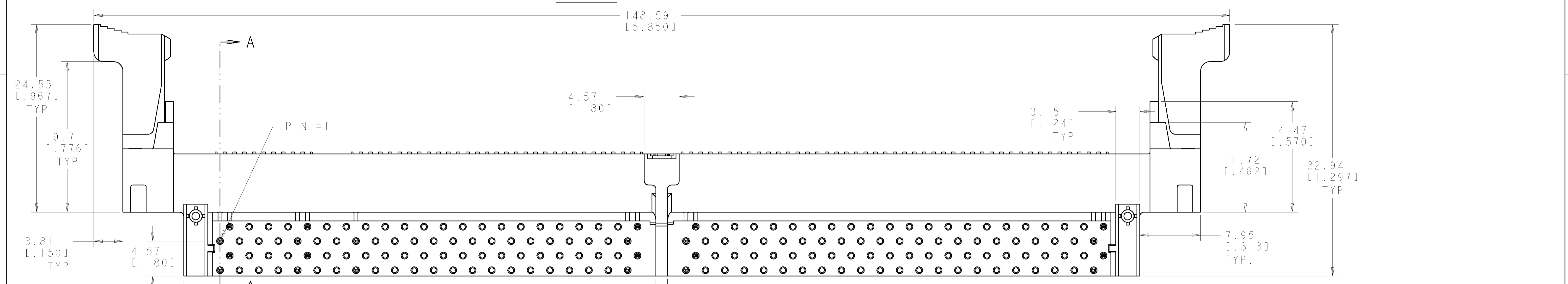
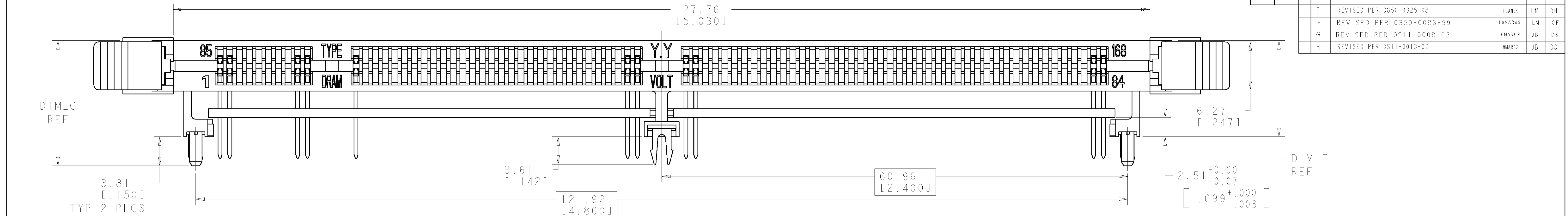
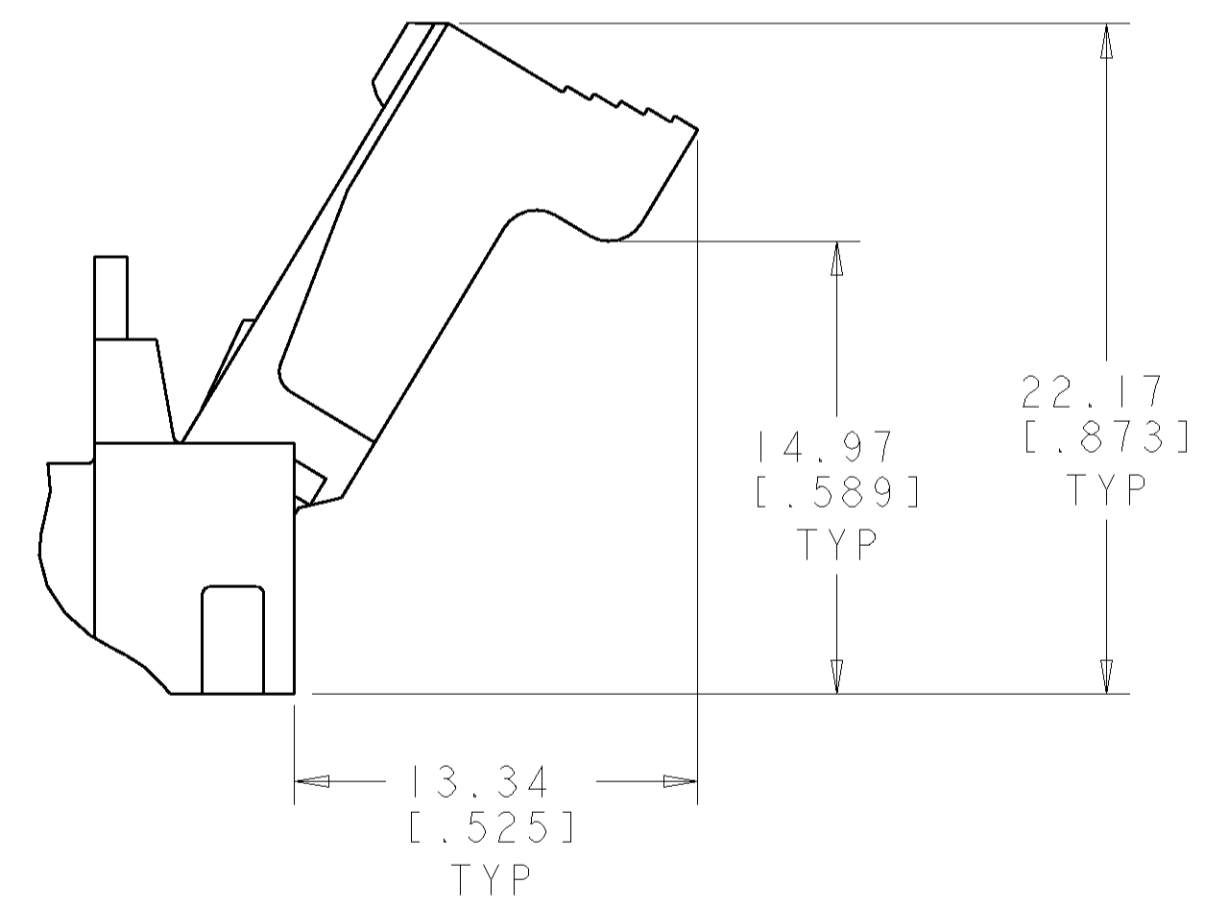


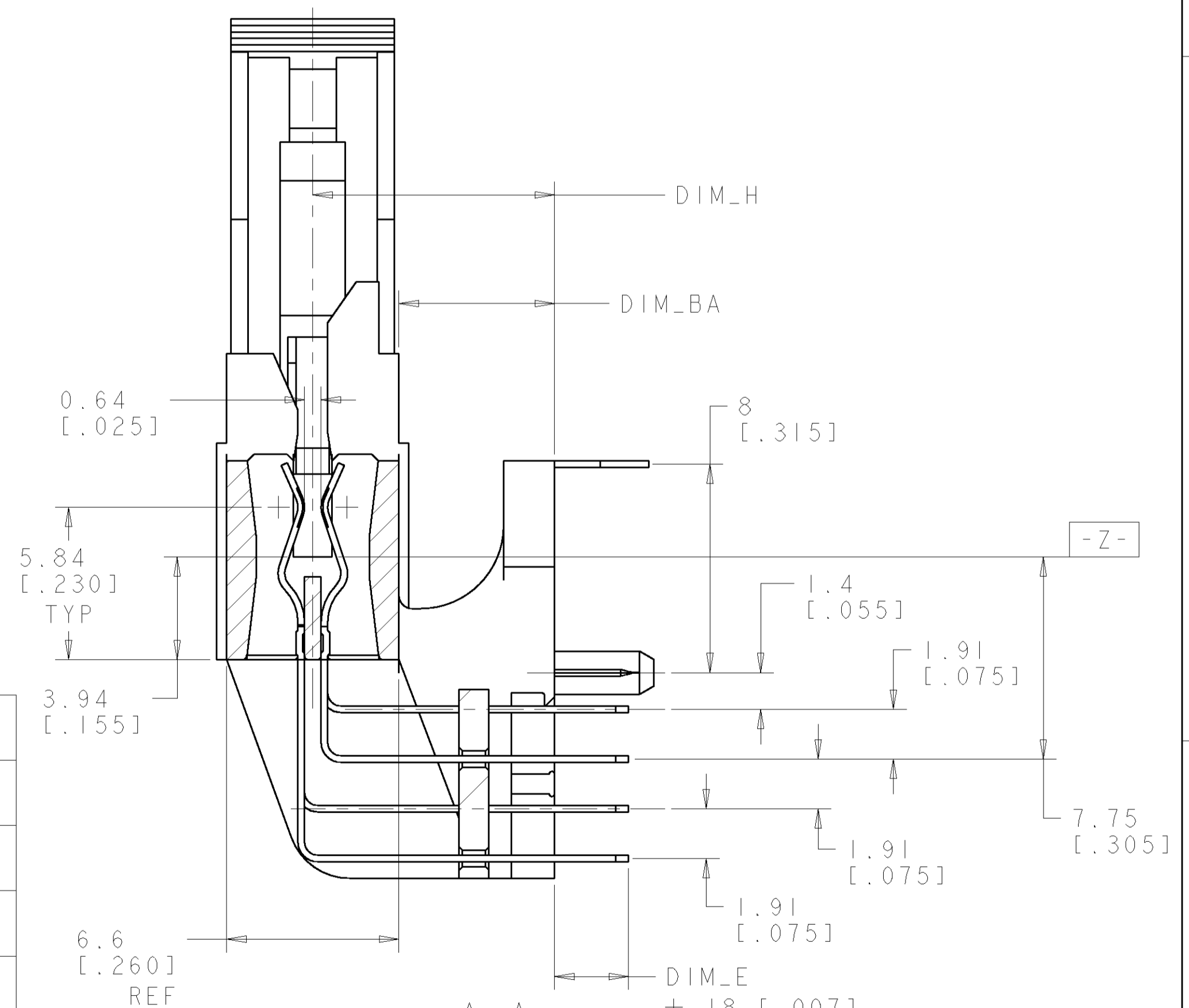
REV	DATE	BY	CHK	APPD
E	11JAN99	LM	DH	
F	19MAR99	LM	CF	
G	18MAR02	JB	DS	
H	18MAR02	JB	DS	



- MATERIAL:
HOUSING: HIGH TEMPERATURE NYLON
CONTACT: PHOSPHOR BRONZE
- FINISH:
CONTACT AREA:
0.00076 [.000030] MIN THICK GOLD OVER
0.001270 [.000050] MIN THICK NICKEL.
OR
0.000076 [.000003] MIN THICK GOLD FLASH OVER
0.000510 [.000020] MIN THICK PALLADIUM NICKEL OVER
0.001270 [.000050] MIN THICK NICKEL.
SOLDERTAIL:
0.00381 [.000150] MIN THICK TIN LEAD OVER
0.00064 [.000025] MIN THICK NICKEL.
- FOR OPTIMUM PERFORMANCE, PADS SHOULD BE SMOOTH AND FLAT PADS TO BE PLATED WITH:
0.00102 [.000040] MIN THICK GOLD OVER
0.00127 [.000050] MIN THICK NICKEL.
- 390171-6 IS SAME CONNECTOR AS 1-390171-0 EXCEPT WITH LUBRICATED CONTACTS.



EXTRACTOR SHOWN IN THE OPEN POSITION



SECTION A-A
SCALE 6:1

NB	3.3	10.92 [.430]	18.03 [.710]	14.22 [.560]	3.68 [.145]	7.62 [.300]	DETAIL C	DETAIL A	SYNC NON-BUFFERED DRAM, 3.3 VOLT	2-390171-6
NB	3.3	10.92 [.430]	18.03 [.710]	14.22 [.560]	3.18 [.125]	7.62 [.300]	DETAIL C	DETAIL A	SYNC NON-BUFFERED DRAM, 3.3 VOLT	1-390171-6
SYNC	3.3	10.92 [.430]	18.03 [.710]	14.22 [.560]	3.18 [.125]	7.62 [.300]	DETAIL B	DETAIL A	SYNC DRAM, 3.3 VOLT	1-390171-5
STD	3.3	10.92 [.430]	18.03 [.710]	14.22 [.560]	3.18 [.125]	7.62 [.300]	DETAIL A	DETAIL A	STD DRAM, 3.3 VOLT	1-390171-4
NB	3.3	9.27 [.365]	16.38 [.645]	12.57 [.495]	2.83 [.112]	5.97 [.235]	DETAIL C	DETAIL A	SYNC NON-BUFFERED DRAM, 3.3 VOLT	1-390171-0
NB	3.3	9.27 [.365]	16.38 [.645]	12.57 [.495]	2.83 [.112]	5.97 [.235]	DETAIL C	DETAIL A	SYNC NON-BUFFERED DRAM, 3.3 VOLT	390171-6 ⁴
SYNC	3.3	9.27 [.365]	16.38 [.645]	12.57 [.495]	2.83 [.112]	5.97 [.235]	DETAIL B	DETAIL A	SYNC DRAM, 3.3 VOLT	390171-5
STD	3.3	9.27 [.365]	16.38 [.645]	12.57 [.495]	2.83 [.112]	5.97 [.235]	DETAIL A	DETAIL A	STD DRAM, 3.3 VOLT	390171-4
TYPE	Y.Y	DIM_H	DIM_G	DIM_F	DIM_E ±.18 [.007]	DIM_BA	KEY #1	KEY #2	PART DESCRIPTION	PART NUMBER

DIMENSIONS: mm(INCHES)		TOLERANCES UNLESS OTHERWISE SPECIFIED:		DRAWN: J. BURWELL 29JUNE98		CHK: D. HAMMER 29JUNE98		AMP Incorporated Harrisburg, PA 17105-3608	
0 PLC	±	1 PLC	±	NAME	SOCKET, DIMM., DRO, RT ANGLE, 168 POSITION, 17.78mm LOCKING EXTRACTORS.	PRODUCT SPEC	-	SIZE	A1
2 PLC	±	3 PLC	±	APPLICATION SPEC	-	WEIGHT	-	CAGE CODE	00779
4 PLC	±	ANGLES	±1°	CUSTOMER DRAWING	-	DRAWING NO	C=390171	SCALE	4:1
MATERIAL		FINISH		SHEET		REV		H	

