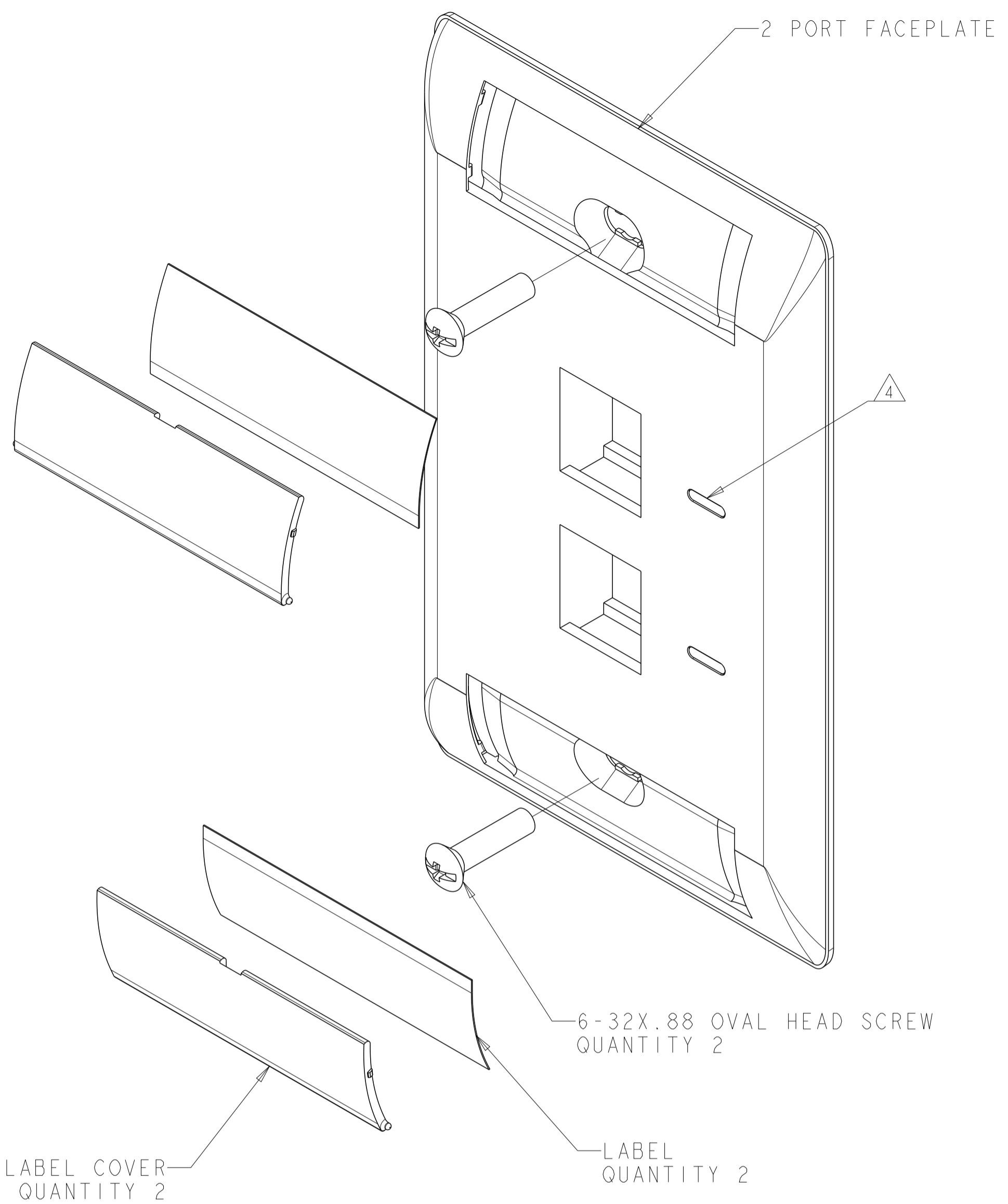
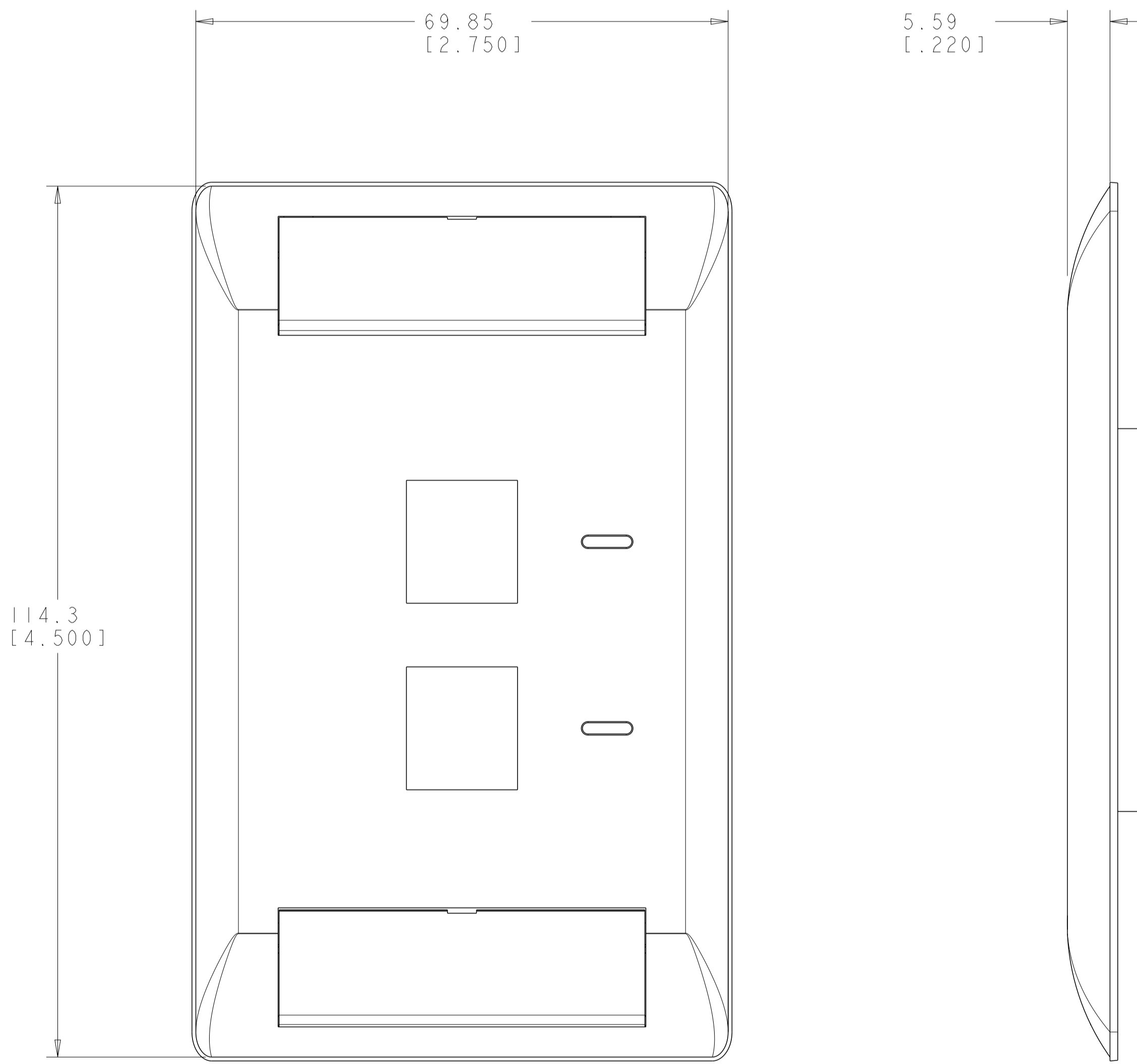


REVISIONS				
P	LTN	DESCRIPTION	DATE	APPD
A		RLSD; ECO-10-002954	09FEB2010	GG RA
B		REV; 40026397MCO	11NOV2015	GG LS



- ⚠ DIMENSIONS ARE NOMINAL UNLESS OTHERWISE SPECIFIED.
- ⚠ MATERIAL:
 FACEPLATE - POLYCARBONATE MOLDING COMPOUND. SEE TABLE FOR COLORS.
 SCREWS - ZINC PLATED CARBON STEEL.
 LABEL COVER - POLYCARBONATE MOLDING COMPOUND, CLEAR.
 LABEL - WHITE INDEX PAPER.
- 3. THIS KIT SHIPPED NOT ASSEMBLED.
- ⚠ MOLD OVER ICON FEATURE.



ALPINE WHITE	1-2111009-3
ELECTRIC IVORY	1-2111009-1
NEMA GRAY	2111009-4
BLACK	2111009-2
LIGHT ALMOND	2111009-1
COLOR	PART NUMBER

THIS DRAWING IS A CONTROLLED DOCUMENT.

DIMENSIONS: MM [INCHES]	TOLERANCES UNLESS OTHERWISE SPECIFIED:	DWN: G. GARRETT 31MAR2009	CHK: R. ASHBY 31MAR2009	APVD: H. ASHBY 31MAR2009	NAME: KIT, FACEPLATE, COMMERCIAL, SINGLE GANG, 2 PORT
0 PLC ±	1 PLC ±	2 PLC ±	3 PLC ±	4 PLC ±	ANGLES ±
MATERIAL:		FINISH:		WEIGHT: -	RESTRICTED TO: -
Customer Drawing				SCALE: 2:1	SHEET 1 OF 1 REV B

Customer Drawing